

19" Front Panel With SUB-D Cut-Out



19" Front Panel with SUB-D Cut-Out or FDDI Cut-Out.

CERTIFICATIONS



FEATURES

19" Front Panel with Cutout for Sub-D, ST type 3 or FDDI

SPECIFICATIONS

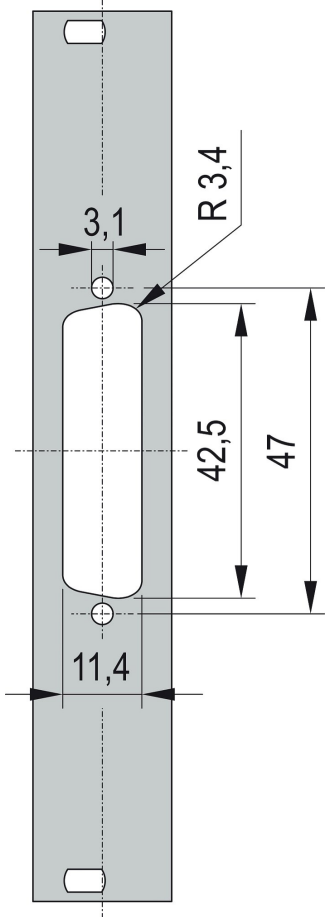
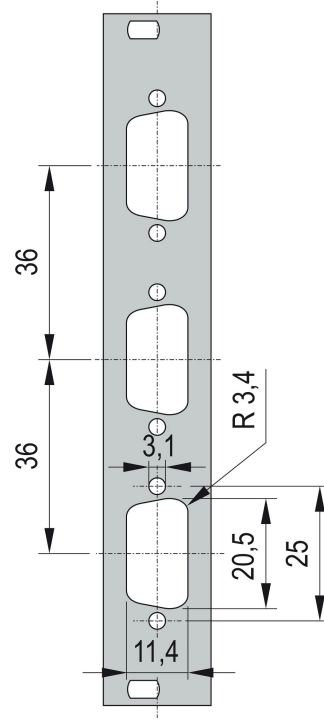
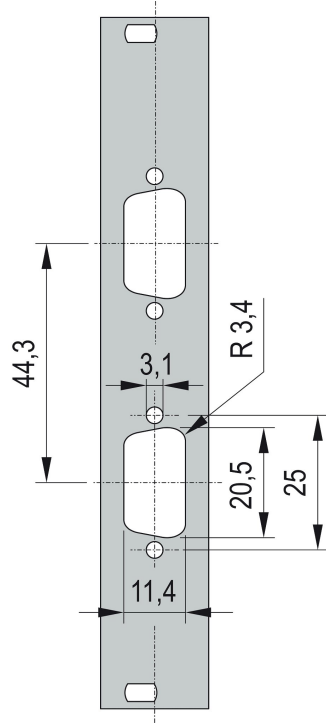
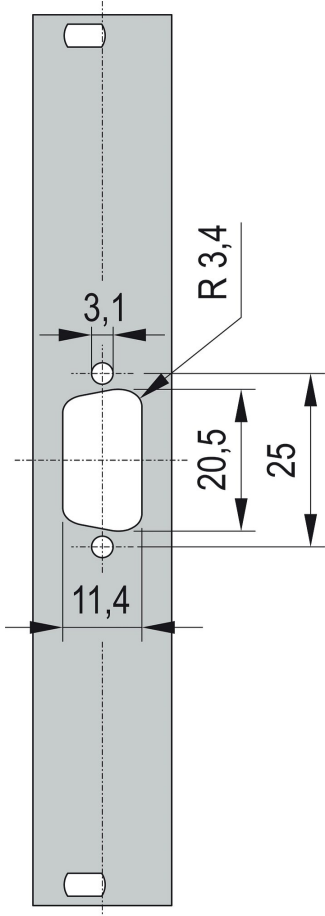
Depth (D):	2.5mm
Material:	Aluminum
Accessory Type:	Front panel
Product Type:	Front Panel

Table 1/2

Catalog Number	Rack Height	Rack Width	Package Quantity	Front Finish	Rear Finish	Number of Pins
30118-334	3U	4HP	1	Painted	Conductive	(1) 25
30118-332	3U	4HP	1	Painted	Conductive	(3) 9
30118-335	3U	4HP	1	Painted	Conductive	(2) 25
30118-338	3U	4HP	1	Painted	Conductive	(1) 9
30118-336	3U	4HP	1	Painted	Conductive	(2) 9

Table 2/2

Catalog Number	Color Code	Finish	Height (H)	Width (W)
30118-334	RAL 7035	Powder Coated	128.4mm	19.98mm
30118-332	RAL 7035	Powder Coated	128.4mm	19.98mm
30118-335	RAL 7035	Powder Coated	128.4mm	19.98mm
30118-338	RAL 7035	Powder Coated	128.4mm	19.98mm
30118-336	RAL 7035	Powder Coated	128.4mm	19.98mm



WARNING

nVent products shall be installed and used only as indicated in nVent's product instruction sheets and training materials. Instruction sheets are available at www.nvent.com and from your nVent customer service representative. Improper installation, misuse, misapplication or other failure to completely follow nVent's instructions and warnings may cause product malfunction, property damage, serious bodily injury and death and/or void your warranty.

North America

All locations
+1.763.422.2661
Chat with us:
nvent.com/schroff

Europe

Straubenhardt, Germany
+49.7082.794.0
Betschdorf, France
+33.3.88.90.64.90
Warsaw, Poland
+48.22.209.98.35
Assago, Italy
+39.02.932.7141
Chat with us:
nvent.com/schroff

Asia

Shanghai, China
+86.21.2412.6943
Qingdao, China
+86.532.8771.6101
Singapore
+65.6768.5800
Shin-Yokohama, Japan
+81.45.476.0271
Chat with us:
nvent.com/schroff

Middle East & India

Dubai, United Arab Emirates
+971.4.378.1700
Bangalore, India
+91.80.6715.2001
Istanbul, Turkey
+90.216.250.7374
Chat with us:
nvent.com/schroff



Our powerful portfolio of brands:

CADDY ERICO HOFFMAN ILSCO SCHROFF TRACHTE