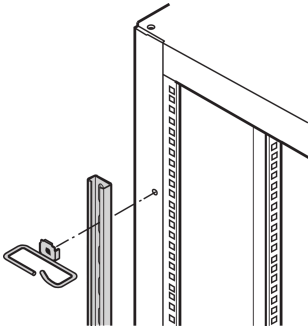


Labrack C-Rail for 19" Stationary 24 U

CATALOG NUMBER

20118-461



For assembly to the vertical uprights on the right and left hand side of the 19" plane; especially suited for cable eyes.

CERTIFICATIONS



FEATURES

For assembly to the vertical uprights on the right and left hand side of the 19" plane; especially suited for cable eyes

PRODUCT ATTRIBUTES

Rack Height: 24U

Package Quantity: 2

Finish: Zinc Plated

Length: 1050mm

Material: Steel

Product Family: Labrack

Product Type: C-Rail

Gross Weight: 1.67kg

ADDITIONAL PRODUCT DETAILS

Please order assembly kit separately. Not suitable on mobile 19" lab racks.

WARNING

nVent products shall be installed and used only as indicated in nVent's product instruction sheets and training materials. Instruction sheets are available at www.nvent.com and from your nVent customer service representative. Improper installation, misuse, misapplication or other failure to completely follow nVent's instructions and warnings may cause product malfunction, property damage, serious bodily injury and death and/or void your warranty.

North America

All locations
+1.763.422.2661
Chat with us:
nvent.com/schroff

Europe

Straubenhardt, Germany
+49.7082.794.0
Betschdorf, France
+33.3.88.90.64.90
Warsaw, Poland
+48.22.209.98.35
Assago, Italy
+39.02.932.7141
Chat with us:
nvent.com/schroff

Asia

Shanghai, China
+86.21.2412.6943
Qingdao, China
+86.532.8771.6101
Singapore
+65.6768.5800
Shin-Yokohama, Japan
+81.45.476.0271
Chat with us:
nvent.com/schroff

Middle East & India

Dubai, United Arab Emirates
+971.4.378.1700
Bangalore, India
+91.80.6715.2001
Istanbul, Turkey
+90.216.250.7374
Chat with us:
nvent.com/schroff



Our powerful portfolio of brands:

CADDY ERICO HOFFMAN ILSCO SCHROFF TRACHTE