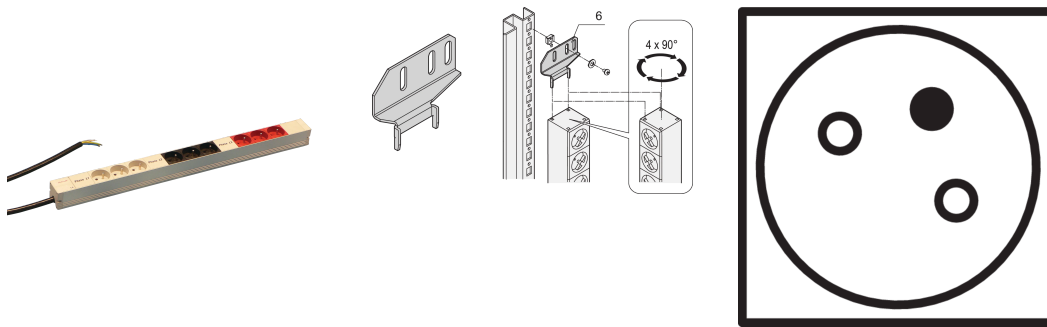


Socket Strip, UTE, 3-Phase, 9 Sockets

CATALOG NUMBER

60110-233



Modular, compact PDU with many function elements. Using a 1 U by 1 U aluminum chassis the PDU can easily be integrated in a rack with UTE outlets.

CERTIFICATIONS



FEATURES

Connecting cable 2 m, open end with ferrules

Socket strips can be rotated through all four directions (in 90° increments) during installation

Socket strips with UTE sockets, 3-phase

3-phase, 16 A per phase

In accordance with NFC 61-303

Vertical mounting

Installation height 1 U

PRODUCT ATTRIBUTES

Product Type: Socket Strip

Socket Type: UTE

Socket Quantity: 9

Color: Grey; Black; Red

Switched Outlets: No

Length: 608.5mm

Voltage AC: 230V

Depth: 44mm

Finish: Anodized

Material: Aluminum; Polyamide

Net Weight: 1.64kg

Package Quantity: 1

ADDITIONAL PRODUCT DETAILS

Please order bracket for vertical mounting separately.

WARNING

nVent products shall be installed and used only as indicated in nVent's product instruction sheets and training materials. Instruction sheets are available at www.nvent.com and from your nVent customer service representative. Improper installation, misuse, misapplication or other failure to completely follow nVent's instructions and warnings may cause product malfunction, property damage, serious bodily injury and death and/or void your warranty.

North America

All locations
+1.763.422.2661
Chat with us:
nvent.com/schroff

Europe

Straubenhardt, Germany
+49.7082.794.0
Betschdorf, France
+33.3.88.90.64.90
Warsaw, Poland
+48.22.209.98.35
Assago, Italy
+39.02.932.7141
Chat with us:
nvent.com/schroff

Asia

Shanghai, China
+86.21.2412.6943
Qingdao, China
+86.532.8771.6101
Singapore
+65.6768.5800
Shin-Yokohama, Japan
+81.45.476.0271
Chat with us:
nvent.com/schroff

Middle East & India

Dubai, United Arab
Emirates
+971.4.378.1700
Bangalore, India
+91.80.6715.2001
Istanbul, Turkey
+90.216.250.7374
Chat with us:
nvent.com/schroff



Our powerful portfolio of brands:

CADDY ERICO HOFFMAN ILSCO SCHROFF TRACHTE