

# Universal Sway Brace

## Data Solutions



The nVent CADDY Universal Sway Brace is an innovative, versatile solution providing seismic bracing for suspended pipes. Featuring a unique slotted hole pattern for easy slip-on installation, installers can eliminate the risk and inconvenience of loose hardware, making it an ideal choice for ensuring safety and compliance on the job.

## CERTIFICATIONS



## FEATURES

Used for both lateral and longitudinal sway brace applications

Snap-off bolt head helps enable easy installation and inspection

Works with 1" to 2" (25,4mm to 50,8mm) brace pipes to reduce inventory

Works with 12 gauge or thicker Type A solid strut as brace member

Meets NFPA®-13 and CEN/TS 1755:2021 requirements for seismic sway bracing

FM Approved with the following brace members: Type A Solid Strut (12 gauge or thicker) and 1-2 in Sch40/EN 10255H Pipe

FM Specification Tested with the following brace members: Type A Solid Strut (12 gauge or thicker) and 1-2 in Sch40/EN 10255H Pipe

## SPECIFICATIONS

**Finish:** Electrogalvanized

**Material:** Steel

Table 1/2

| Catalog Number | Pipe Size, Nominal | Cast Iron | NB/DN | Brace NB/DN | Width (W) | A    |
|----------------|--------------------|-----------|-------|-------------|-----------|------|
| CSB0100N       | 25.4mm             |           | 25    | 25 – 50mm   | 38mm      | 91mm |
| CSB0400N       | 101.6mm            | 101.6mm   | 100   | 25 – 50mm   | 38mm      | 91mm |
| CSB0125N       | 31.75mm            |           | 32    | 25 – 50mm   | 38mm      | 91mm |
| CSB0150N       | 38.1mm             | 38.1mm    | 40    | 25 – 50mm   | 38mm      | 91mm |
| CSB0200N       | 50.8mm             | 50.8mm    | 50    | 25 – 50mm   | 38mm      | 91mm |
| CSB0250N       | 63.5mm             | 63.5mm    | 65    | 25 – 50mm   | 38mm      | 91mm |
| CSB1200N       | 304.8mm            | 304.8mm   | 300   | 25 – 50mm   | 38mm      | 91mm |
| CSB0300N       | 76.2mm             | 76.2mm    | 80    | 25 – 50mm   | 38mm      | 91mm |
| CSB0500N       |                    |           | 125   | 25 – 50mm   | 38mm      | 91mm |
| CSB1000N       | 254mm              | 254mm     | 250   | 25 – 50mm   | 38mm      | 91mm |
| CSB0800N       | 203.2mm            | 203.2mm   | 200   | 25 – 50mm   | 38mm      | 91mm |
| CSB0600N       | 152.4mm            |           | 150   | 25 – 50mm   | 38mm      | 91mm |

Table 2/2

| Catalog Number | B    | C    | D     |
|----------------|------|------|-------|
| CSB0100N       | 33mm | 16mm | 126mm |
| CSB0400N       | 33mm | 26mm | 216mm |
| CSB0125N       | 33mm | 18mm | 140mm |
| CSB0150N       | 33mm | 19mm | 136mm |
| CSB0200N       | 33mm | 21mm | 151mm |
| CSB0250N       | 33mm | 24mm | 171mm |
| CSB1200N       | 33mm | 25mm | 429mm |
| CSB0300N       | 33mm | 25mm | 187mm |
| CSB0500N       | 33mm | 25mm | 255mm |
| CSB1000N       | 33mm | 25mm | 386mm |
| CSB0800N       | 33mm | 31mm | 331mm |
| CSB0600N       | 33mm | 29mm | 275mm |

## ADDITIONAL PRODUCT DETAILS

FM® Specification Tested for 1-1/2 in to 4 in pipe sizes using no hub cast iron pipe.

Load ratings for Sch 10 may also be applied to AS 1074 Medium, GB/T 3091, EN 10255 (Medium or Heavy), and JIS G3452 pipe.

Load ratings for Sch 40 may also be applied to AS 1074 Heavy, GB/T 3091, EN 10255 (Heavy), and JIS G3454 pipe.

Load ratings for FM approved lightwall may also be applied to AS 1074 Lightwall, EN 10255 L, EN 10220, and GB/T 8163 pipe.

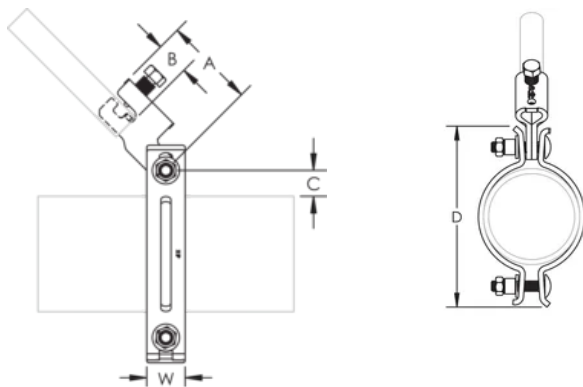
FM Approved with 12 gauge or thicker Type A solid strut as brace member

| UL Loads    |                            |                                   |                                  |                                  |                            |                                   |                                  |                                  |
|-------------|----------------------------|-----------------------------------|----------------------------------|----------------------------------|----------------------------|-----------------------------------|----------------------------------|----------------------------------|
| Part Number | Lateral                    |                                   |                                  |                                  | Longitudinal               |                                   |                                  |                                  |
|             | Sch 10/Sch 40 Service Pipe | Bull Moose Eddy Flow Service Pipe | Wheatland Mega-Flow Service Pipe | Youngstown Fire-Flo Service Pipe | Sch 10/Sch 40 Service Pipe | Bull Moose Eddy Flow Service Pipe | Wheatland Mega-Flow Service Pipe | Youngstown Fire-Flo Service Pipe |
| CSB0100xxx  | 8006 N                     | N/A                               | N/A                              | N/A                              | 4448 N                     | N/A                               | N/A                              | N/A                              |
| CSB0125xxx  | 8006 N                     | 8006 N                            | 8006 N                           | N/A                              | 3025 N                     | 3025 N                            | 3025 N                           | N/A                              |
| CSB0150xxx  | 8006 N                     | 8006 N                            | 8006 N                           | 8006 N                           | 4448 N                     | 4448 N                            | 4448 N                           | 4448 N                           |
| CSB0200xxx  | 8006 N                     | 8006 N                            | 8006 N                           | 8006 N                           | 5782 N                     | 5782 N                            | 5782 N                           | 5782 N                           |
| CSB0250xxx  | 8006 N                     | 8006 N                            | 8006 N                           | 8006 N                           | 5782 N                     | 5782 N                            | 5782 N                           | 5782 N                           |
| CSB0300xxx  | 8006 N                     | 8006 N                            | 8006 N                           | 8006 N                           | 6227 N                     | 6227 N                            | 6227 N                           | 6227 N                           |
| CSB0400xxx  | 8006 N                     | 8006 N                            | 8006 N                           | 8006 N                           | 7561 N                     | 7561 N                            | 7561 N                           | 7561 N                           |
| CSB0500xxx  | 8006 N                     | N/A                               | N/A                              | N/A                              | 7561 N                     | N/A                               | N/A                              | N/A                              |
| CSB0600xxx  | 8006 N                     | N/A                               | 8006 N                           | N/A                              | 7561 N                     | N/A                               | 7561 N                           | N/A                              |
| CSB0800xxx  | 8006 N                     | N/A                               | N/A                              | N/A                              | 7561 N                     | N/A                               | N/A                              | N/A                              |
| CSB1000xxx  | 8451 N                     | N/A                               | N/A                              | N/A                              | 8451 N                     | N/A                               | N/A                              | N/A                              |
| CSB1200xxx  | N/A                        | N/A                               | N/A                              | N/A                              | N/A                        | N/A                               | N/A                              | N/A                              |

| FM Loads  |  |           |           |           |              |           |           |           |
|---|--|-----------|-----------|-----------|--------------|-----------|-----------|-----------|
| Part Number   | Horizontal Capacity per Installation Angle from Vertical |           |           |           |              |           |           |           |
|   | Lateral  |           |           |           | Longitudinal |           |           |           |
|   | 30° - 44°  | 45° - 59° | 60° - 74° | 75° - 90° | 30° - 44°    | 45° - 59° | 60° - 74° | 75° - 90° |
| <b>FM Approved Lightwall, Sch 10 and Sch 40 Service Pipes</b> |  |           |           |           |              |           |           |           |
| CSB0100xxx  | 6620 N   | 9380 N    | 11470 N   | 12890 N   | 5730 N       | 5510 N    | 5600 N    | 6220 N    |
| CSB0125xxx  | 6130 N   | 8710 N    | 10670 N   | 11960 N   | 5730 N       | 5510 N    | 5600 N    | 6220 N    |
| CSB0150xxx  | 6130 N   | 8710 N    | 10670 N   | 11960 N   | 5330 N       | 8270 N    | 9690 N    | 10000 N   |
| CSB0200xxx  | 6130 N   | 8710 N    | 10670 N   | 11960 N   | 5330 N       | 8090 N    | 9690 N    | 10000 N   |
| CSB0250xxx  | 6400 N   | 9020 N    | 11070 N   | 12410 N   | 5870 N       | 8090 N    | 9740 N    | 11120 N   |
| CSB0300xxx  | 6180 N   | 8760 N    | 10760 N   | 12050 N   | 5780 N       | 7960 N    | 9740 N    | 11120 N   |
| CSB0400xxx  | 6180 N   | 8760 N    | 10760 N   | 12050 N   | 5780 N       | 7960 N    | 9740 N    | 11120 N   |
| CSB0500xxx  | 6180 N   | 8760 N    | 10760 N   | 12050 N   | 5780 N       | 7960 N    | 9740 N    | 11120 N   |
| CSB0600xxx  | 6490 N   | 9160 N    | 11200 N   | 12580 N   | 6270 N       | 8670 N    | 10450 N   | 11920 N   |
| <b>0.188" Wall and Sch 40 Service Pipes</b>                   |  |           |           |           |              |           |           |           |
| CSB0800xxx  | 5910 N   | 8360 N    | 10230 N   | 11470 N   | 6220 N       | 8540 N    | 10450 N   | 11740 N   |
| CSB1000xxx  | 5910 N   | 8360 N    | 10230 N   | 11470 N   | 6220 N       | 8540 N    | 10450 N   | 11740 N   |
| CSB1200xxx  | 7470 N   | 10540 N   | 12940 N   | 14500 N   | 7110 N       | 8270 N    | 9960 N    | 11520 N   |

## DIAGRAMS

---



## WARNING

---

nVent products shall be installed and used only as indicated in nVent's product instruction sheets and training materials. Instruction sheets are available at [www.nvent.com](http://www.nvent.com) and from your nVent customer service representative. Improper installation, misuse, misapplication or other failure to completely follow nVent's instructions and warnings may cause product malfunction, property damage, serious bodily injury and death and/or void your warranty.



Our powerful portfolio of brands:

**CADDY ERICO HOFFMAN ILSCO SCHROFF TRACHTE**