

# Multi-Function Clip



## CERTIFICATIONS



## FEATURES

Provides attachment of electrical boxes

Supports #10-24 and 1/4-20 (M6) threaded bridle rings

Instills more confidence installing conduit, MC/AC, and low voltage applications

## SPECIFICATIONS

Table 1/2

Catalog Number	Article Number	Material	Finish	Rod Size (RS)	Wire Size	Flange Thickness (FT)
4Z34	170650	Spring Steel	nVent CADDY Armour	M4, M6, M8, M10	3.9 - 4.8 mm	3.0 - 9.5 mm

Table 2/2

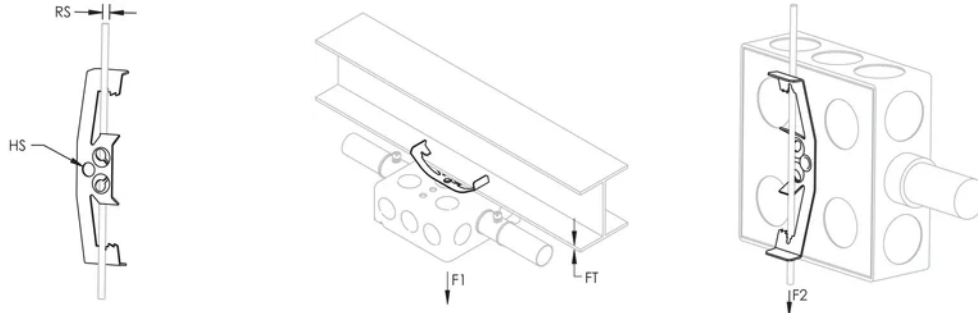
Catalog Number	Article Number	Hole Size (HS)	Screw Included	Static Load 1 (F1)	Static Load 2 (F2)
4Z34	170650	6.5 mm	No	110N	90N

## ADDITIONAL PRODUCT DETAILS

NEC® 300.11 requires dedicated drop wire/rod and EC311.

4Z parts installed on 3/8" (M10) smooth rod in the F2 direction has a Static Load Rating of 15 lb (67 N).

## DIAGRAMS



## WARNING

nVent products shall be installed and used only as indicated in nVent's product instruction sheets and training materials. Instruction sheets are available at [www.nvent.com](http://www.nvent.com) and from your nVent customer service representative. Improper installation, misuse, misapplication or other failure to completely follow nVent's instructions and warnings may cause product malfunction, property damage, serious bodily injury and death and/or void your warranty.

### North America

+1.800.753.9221  
Option 1 – Customer Care  
Option 2 – Technical  
Support

### Europe

Netherlands:  
+31 800-0200135  
France:  
+33 800 901 793

### Europe

Germany:  
800 1890272  
Other Countries:  
+31 13 5835404

### APAC

Shanghai:  
+ 86 21 2412 1618/19  
Sydney:  
+61 2 9751 8500



Our powerful portfolio of brands:

**CADDY ERICO HOFFMAN ILSCO SCHROFF TRACHTE**

