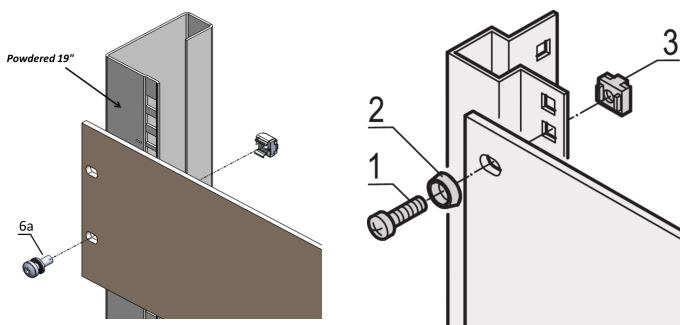


19" Assembly Kit, T30 Screw With Captive Nomel Washer, M6x16; Washer, GND/Earthing Cage Nut, M6; 50 Pieces

Data Solutions

CATALOG NUMBER

21120-198



For standard grounding use a grounding nut and washer on at least one attachment point.

When 19" assembly kit is used with conductive 19" panel mount, grounding cage nuts are not needed.

FEATURES

Assembly kits for assembly of 19" components into a cabinet

For mounting of front panels, distribution fields or other components on the frame, slide mounts or depth members with square cut-outs

PRODUCT ATTRIBUTES

Length: 16mm

Package Quantity: 50

Thread Size: M6

Finish: Zinc Plated

Material: Steel

Product Type: Assembly Kit

Type: Mounting Kit; Grounding

Works With: Front Panels; Eurorack; Novastar; Varistar; Varistar CP

Torque: 5N·m

Net Weight: 0.58kg

WARNING

nVent products shall be installed and used only as indicated in nVent's product instruction sheets and training materials. Instruction sheets are available at www.nvent.com and from your nVent customer service representative. Improper installation, misuse, misapplication or other failure to completely follow nVent's instructions and warnings may cause product malfunction, property damage, serious bodily injury and death and/or void your warranty.



Our powerful portfolio of brands:

CADDY ERICO HOFFMAN ILSCO SCHROFF TRACHTE