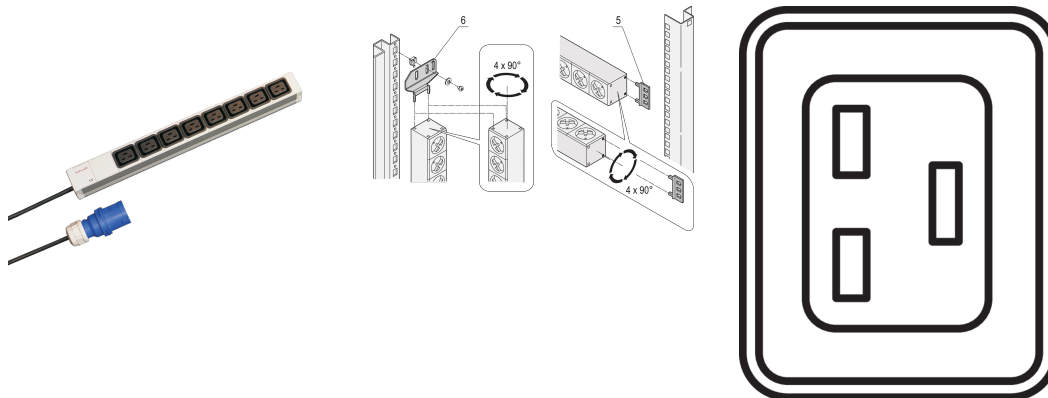


Socket Strip, IEC C19, 16 A, IEC 60309 Plug, 8x IEC C19, 19"

Data Solutions

CATALOG NUMBER

60110-280



Modular, compact PDU with many function elements. Using a 1 U by 1 U aluminum chassis the PDU can easily be integrated in a rack with IEC C19 outlets.

CERTIFICATIONS



FEATURES

Socket strips with C19 IEC sockets

Socket strips can be rotated through all four directions (in 90° increments) during installation

Connecting cable 2 m, with connector in accordance with IEC 60309

Mounting height 1 U

PRODUCT ATTRIBUTES

Socket Type: IEC C19

Socket Quantity: 8

Switched Outlets: No

Voltage AC: 230V

Package Quantity: 1

Color: Grey

Depth: 44mm

Finish: Anodized

Height: 44mm

Length: 438.5mm

Material: Aluminum; Polyamide

Product Type: Socket Strip

Gross Weight: 0.997kg

ADDITIONAL PRODUCT DETAILS

Please order bracket for vertical mounting separately.

WARNING

nVent products shall be installed and used only as indicated in nVent's product instruction sheets and training materials. Instruction sheets are available at www.nvent.com and from your nVent customer service representative. Improper installation, misuse, misapplication or other failure to completely follow nVent's instructions and warnings may cause product malfunction, property damage, serious bodily injury and death and/or void your warranty.



Our powerful portfolio of brands:

CADDY ERICO HOFFMAN ILSCO SCHROFF TRACHTE