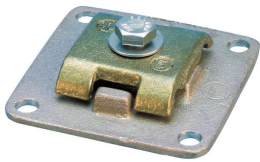


Bonding Plate



CERTIFICATIONS



FEATURES

Cast bonding plate for structural steel applications

Listed to UL® 96

SPECIFICATIONS

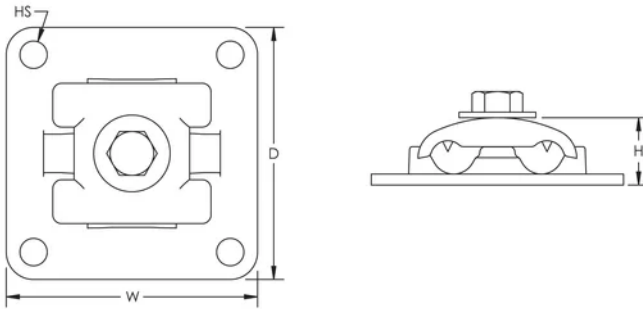
Conductor Size, UL: Class 1 - Class 2 (4/0 Max)

Table 1/2						
Catalog Number	Material	Finish	Contact Area	Depth (D)	Height (H)	Width (W)
LPA532	Aluminum		51.6 cm ² Min	73.03mm	16.76 mm	73.03 mm
LPC532L	Brass	Tinned	51.6 cm ² Min	73.03mm	16.76 mm	73.03 mm
LPC532	Brass		51.6 cm ² Min	73.03mm	16.76 mm	73.03 mm

Table 2/2		
Catalog Number	Hole Size (HS)	Unit Weight
LPA532	79.38 mm	0.09 kg
LPC532L	79.38 mm	0.29 kg

Catalog Number	Hole Size (HS)	Unit Weight
LPC532	79.38 mm	0.29 kg

DIAGRAMS



WARNING

nVent products shall be installed and used only as indicated in nVent's product instruction sheets and training materials. Instruction sheets are available at www.nvent.com and from your nVent customer service representative. Improper installation, misuse, misapplication or other failure to completely follow nVent's instructions and warnings may cause product malfunction, property damage, serious bodily injury and death and/or void your warranty.

⚠ WARNING: This product can expose you to chemicals including lead, which is known to the State of California to cause cancer and birth defects or other reproductive harm. For more information go to www.P65Warnings.ca.gov.

North America

+1.800.753.9221
Option 1 – Customer Care
Option 2 – Technical
Support

Europe

Netherlands:
+31 800-0200135
France:
+33 800 901 793

Europe

Germany:
800 1890272
Other Countries:
+31 13 5835404

APAC

Shanghai:
+ 86 21 2412 1618/19
Sydney:
+61 2 9751 8500



Our powerful portfolio of brands:

CADDY ERICO HOFFMAN ILSCO SCHROFF TRACHTE