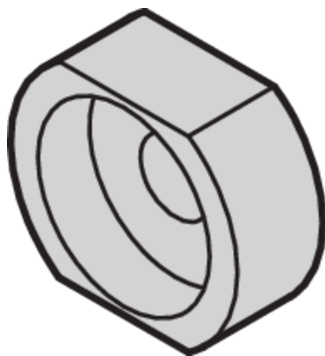
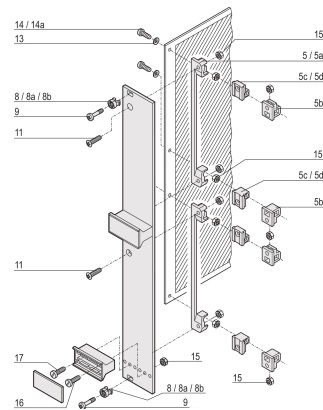
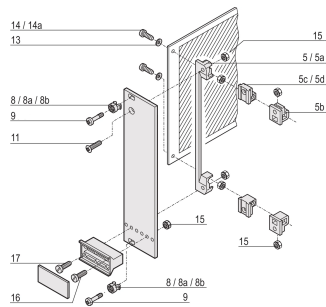


Sleeves for M2.5, Stainless Steel; 100 pieces

CATALOG NUMBER

21100-662



Sleeve guides the collar screw when fastening the front panel.

CERTIFICATIONS



FEATURES

Sleeve guides the collar screw when fastening the front panel

Sleeve is inserted into the elongated hole of the front panel

PRODUCT ATTRIBUTES

Material: Stainless Steel

Package Quantity: 100

Depth (D): 4.4mm

Height (H): 6mm

Product Type: Sleeve

Width (W): 8mm

Works With: Front Panels

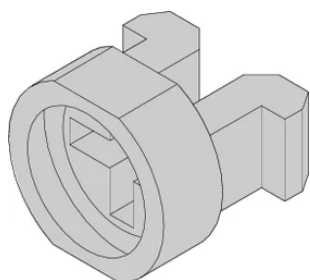
Net Weight: 0.07kg

ADDITIONAL PRODUCT DETAILS

Metal sleeves on the partial front panels must be pressed in.

All sleeves can be used for front panel > 2 HP.

DIAGRAMS



WARNING

nVent products shall be installed and used only as indicated in nVent's product instruction sheets and training materials. Instruction sheets are available at www.nvent.com and from your nVent customer service representative. Improper installation, misuse, misapplication or other failure to completely follow nVent's instructions and warnings may cause product malfunction, property damage, serious bodily injury and death and/or void your warranty.

North America

All locations

+1.763.422.2661

Chat with us:

nvent.com/schroff

Europe

Straubenhardt, Germany

+49.7082.794.0

Betschdorf, France

+33.3.88.90.64.90

Warsaw, Poland

+48.22.209.98.35

Assago, Italy

+39.02.932.7141

Chat with us:

nvent.com/schroff

Asia

Shanghai, China

+86.21.2412.6943

Qingdao, China

+86.532.8771.6101

Singapore

+65.6768.5800

Shin-Yokohama, Japan

+81.45.476.0271

Chat with us:

nvent.com/schroff

Middle East & India

Dubai, United Arab Emirates

+971.4.378.1700

Bangalore, India

+91.80.6715.2001

Istanbul, Turkey

+90.216.250.7374

Chat with us:

nvent.com/schroff



Our powerful portfolio of brands:

CADDY

ERICO

HOFFMAN

ILSCO

SCHROFF

TRACHTE