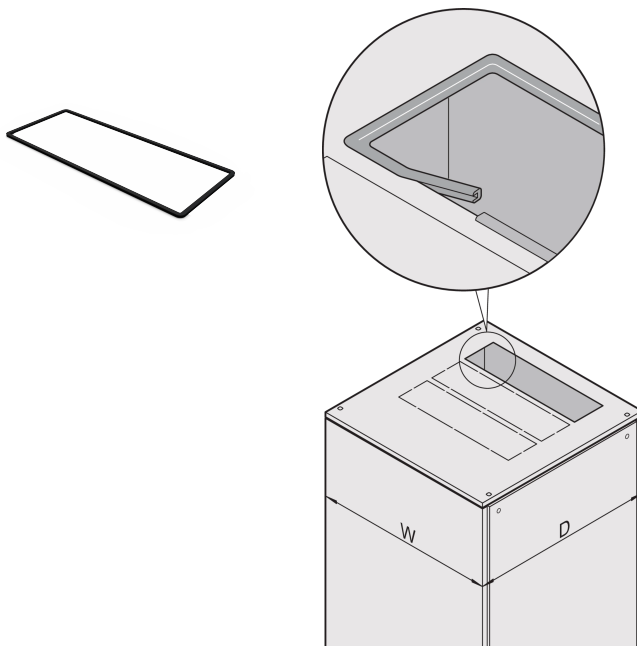


Varistar CP Edge Protection for Top Cover Cutout Zones

CATALOG NUMBER

28127-281



Covering sharp edges of cut-outs. Provides protection from injuries and prevents damage to inserted cables. Varistar Edge protection is suitable for top cover cut out zones.

CERTIFICATIONS



FEATURES

Suitable for flat top cover with cut-out zones

To cover the sharp edges of an open cut-out (protects against injury)

PRODUCT ATTRIBUTES

Product Type: Trim

Product Family: Varistar

Type: Cutout Edge Protection

Material: PVC

Color: Black Grey

Color Code: RAL 7021

Net Weight: 0.2kg

Package Quantity: 1

WARNING

nVent products shall be installed and used only as indicated in nVent's product instruction sheets and training materials. Instruction sheets are available at www.nvent.com and from your nVent customer service representative. Improper installation, misuse, misapplication or other failure to completely follow nVent's instructions and warnings may cause product malfunction, property damage, serious bodily injury and death and/or void your warranty.

North America

All locations
+1.763.422.2661
Chat with us:
nvent.com/schroff

Europe

Straubenhardt, Germany
+49.7082.794.0
Betschdorf, France
+33.3.88.90.64.90
Warsaw, Poland
+48.22.209.98.35
Assago, Italy
+39.02.932.7141
Chat with us:
nvent.com/schroff

Asia

Shanghai, China
+86.21.2412.6943
Qingdao, China
+86.532.8771.6101
Singapore
+65.6768.5800
Shin-Yokohama, Japan
+81.45.476.0271
Chat with us:
nvent.com/schroff

Middle East & India

Dubai, United Arab Emirates
+971.4.378.1700
Bangalore, India
+91.80.6715.2001
Istanbul, Turkey
+90.216.250.7374
Chat with us:
nvent.com/schroff



Our powerful portfolio of brands:

CADDY ERICO HOFFMAN ILSCO SCHROFF TRACHTE