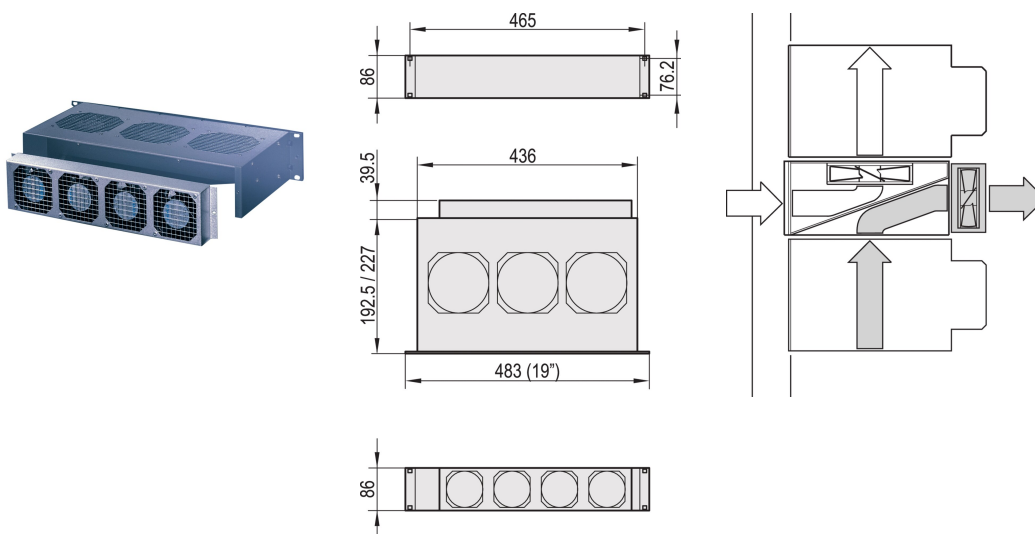


Fan Unit With Housing for 19" Pusher Fan, 2 U, Axial, 230 VAC

CATALOG NUMBER

10713-530



Supplementary fan (built-on) with housing for Schroff pusher fan 2 U. No additional voltage supply necessary: connection is via 19" pusher fan.

CERTIFICATIONS



FEATURES

Extra 2 U useable space: by using a built-on fan, components mounted below the 19" pusher fan can be cooled

No additional voltage supply necessary: connection is via 19" pusher fan, 2 U

PRODUCT ATTRIBUTES

Product Type: Fan Unit

Type: Fan Tray

Color: Silver

Input Voltage AC: 230V

Package Quantity: 1

Net Weight: 1.817kg

WARNING

nVent products shall be installed and used only as indicated in nVent's product instruction sheets and training materials. Instruction sheets are available at www.nvent.com and from your nVent customer service representative. Improper installation, misuse, misapplication or other failure to completely follow nVent's instructions and warnings may cause product malfunction, property damage, serious bodily injury and death and/or void your warranty.

North America

All locations
+1.763.422.2661
Chat with us:
nvent.com/schroff

Europe

Straubenhardt, Germany
+49.7082.794.0
Betschdorf, France
+33.3.88.90.64.90
Warsaw, Poland
+48.22.209.98.35
Assago, Italy
+39.02.932.7141
Chat with us:
nvent.com/schroff

Asia

Shanghai, China
+86.21.2412.6943
Qingdao, China
+86.532.8771.6101
Singapore
+65.6768.5800
Shin-Yokohama, Japan
+81.45.476.0271
Chat with us:
nvent.com/schroff

Middle East & India

Dubai, United Arab
Emirates
+971.4.378.1700
Bangalore, India
+91.80.6715.2001
Istanbul, Turkey
+90.216.250.7374
Chat with us:
nvent.com/schroff



Our powerful portfolio of brands:

CADDY ERICO HOFFMAN ILSCO SCHROFF TRACHTE