

# Plug-In Unit Kit With Trapezoid Handle, Shielded, Grey



Plug-in unit, with static handle and U-shaped front panel. The grey handle is assembled on the front panel. The U-shaped panel enables the assembly of a textile gasket.

## CERTIFICATIONS



## FEATURES

Front panel, U-profile, shielded

Handle without extraction function

## SPECIFICATIONS

<b>Material:</b>	Aluminum
<b>Finish:</b>	Anodized; Passivated
<b>Product Type:</b>	Front Panel
<b>Type:</b>	Front Panel with Handle (PIU)
<b>EMC Shielding:</b>	Yes

Table 1/3

Catalog Number	Rack Height	Rack Width	Package Quantity	Handle Type	Mounting	Gasket Type
20848-674	6U	6HP	1	Trapezoid, Static	Screw-on Front	Textile EMC

Catalog Number	Rack Height	Rack Width	Package Quantity	Handle Type	Mounting	Gasket Type
20848-664	3U	4HP	1	Trapezoid, Static	Screw-on Front	Textile EMC
20848-670	3U	12HP	1	Trapezoid, Static	Screw-on Front	Textile EMC
20848-671	6U	3HP	1	Trapezoid, Static	Screw-on Front	Textile EMC
20848-669	3U	10HP	1	Trapezoid, Static	Screw-on Front	Textile EMC
20848-672	6U	4HP	1	Trapezoid, Static	Screw-on Front	Textile EMC
20848-668	3U	8HP	1	Trapezoid, Static	Screw-on Front	Textile EMC
20848-673	6U	5HP	1	Trapezoid, Static	Screw-on Front	Textile EMC
20848-667	3U	7HP	1	Trapezoid, Static	Screw-on Front	Textile EMC
20848-675	6U	7HP	1	Trapezoid, Static	Screw-on Front	Textile EMC
20848-676	6U	8HP	1	Trapezoid, Static	Screw-on Front	Textile EMC
20848-666	3U	6HP	1	Trapezoid, Static	Screw-on Front	Textile EMC
20848-677	6U	10HP	1	Trapezoid, Static	Screw-on Front	Textile EMC
20848-678	6U	12HP	1	Trapezoid, Static	Screw-on Front	Textile EMC
20848-663	3U	3HP	1	Trapezoid, Static	Screw-on Front	Textile EMC
20848-665	3U	5HP	1	Trapezoid, Static	Screw-on Front	Textile EMC

Table 2/3

Catalog Number	Front Finish	Rear Finish	Treated Edges	Flammability Rating	Complies With	Height (H)
20848-674	Anodized	Etched	No	UL® 94V-0	EN 45545-2, R22-R24, HL3, IEC 60297-3-101	261.8mm
20848-664	Anodized	Etched	No	UL® 94V-0	EN 45545-2, R22-R24, HL3, IEC 60297-3-101	128.4mm

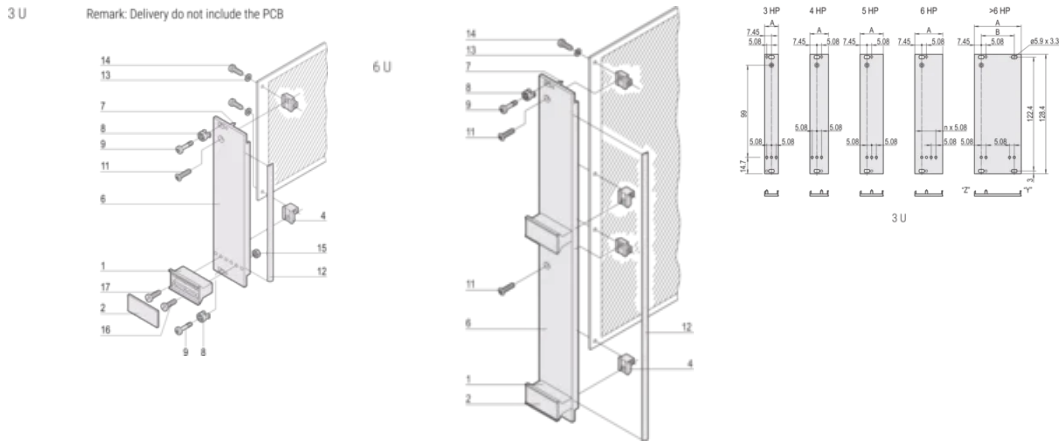
Catalog Number	Front Finish	Rear Finish	Treated Edges	Flammability Rating	Complies With	Height (H)
20848-670	Anodized	Etched	No	UL® 94V-0	EN 45545-2, R22-R24, HL3, IEC 60297-3-101	128.4mm
20848-671	Anodized	Etched	No	UL® 94V-0	EN 45545-2, R22-R24, HL3, IEC 60297-3-101	261.8mm
20848-669	Anodized	Etched	No	UL® 94V-0	EN 45545-2, R22-R24, HL3, IEC 60297-3-101	128.4mm
20848-672	Anodized	Etched	No	UL® 94V-0	EN 45545-2, R22-R24, HL3, IEC 60297-3-101	261.8mm
20848-668	Anodized	Etched	No	UL® 94V-0	EN 45545-2, R22-R24, HL3, IEC 60297-3-101	128.4mm
20848-673	Anodized	Etched	No	UL® 94V-0	EN 45545-2, R22-R24, HL3, IEC 60297-3-101	261.8mm
20848-667	Anodized	Etched	No	UL® 94V-0	EN 45545-2, R22-R24, HL3, IEC 60297-3-101	128.4mm
20848-675	Anodized	Etched	No	UL® 94V-0	EN 45545-2, R22-R24, HL3, IEC 60297-3-101	261.8mm
20848-676	Anodized	Etched	No	UL® 94V-0	EN 45545-2, R22-R24, HL3, IEC 60297-3-101	261.8mm
20848-666	Anodized	Etched	No	UL® 94V-0	EN 45545-2, R22-R24, HL3, IEC 60297-3-101	128.4mm
20848-677	Anodized	Etched	No	UL® 94V-0	EN 45545-2, R22-R24, HL3, IEC 60297-3-101	261.8mm

Catalog Number	Front Finish	Rear Finish	Treated Edges	Flammability Rating	Complies With	Height (H)
20848-678	Anodized	Etched	No	UL® 94V-0	EN 45545-2, R22-R24, HL3, IEC 60297-3-101	261.8mm
20848-663	Anodized	Etched	No	UL® 94V-0	EN 45545-2, R22-R24, HL3, IEC 60297-3-101	128.4mm
20848-665	Anodized	Etched	No	UL® 94V-0	EN 45545-2, R22-R24, HL3, IEC 60297-3-101	128.4mm

Table 3/3

Catalog Number	Width (W)
20848-674	30.1mm
20848-664	20mm
20848-670	60.6mm
20848-671	14.9mm
20848-669	50.5mm
20848-672	20mm
20848-668	40.3mm
20848-673	25mm
20848-667	35.2mm
20848-675	35.2mm
20848-676	40.3mm
20848-666	30.1mm
20848-677	50.5mm
20848-678	60.6mm
20848-663	14.9mm
20848-665	25mm

## DIAGRAMS



## WARNING

nVent products shall be installed and used only as indicated in nVent's product instruction sheets and training materials. Instruction sheets are available at [www.nvent.com](http://www.nvent.com) and from your nVent customer service representative. Improper installation, misuse, misapplication or other failure to completely follow nVent's instructions and warnings may cause product malfunction, property damage, serious bodily injury and death and/or void your warranty.

### North America

All locations  
+1.763.422.2661  
Chat with us:  
[nvent.com/schroff](http://nvent.com/schroff)

### Europe

Straubenhardt, Germany  
+49.7082.794.0  
Betschdorf, France  
+33.3.88.90.64.90  
Warsaw, Poland  
+48.22.209.98.35  
Assago, Italy  
+39.02.932.7141  
Chat with us:  
[nvent.com/schroff](http://nvent.com/schroff)

### Asia

Shanghai, China  
+86.21.2412.6943  
Qingdao, China  
+86.532.8771.6101  
Singapore  
+65.6768.5800  
Shin-Yokohama, Japan  
+81.45.476.0271  
Chat with us:  
[nvent.com/schroff](http://nvent.com/schroff)

### Middle East & India

Dubai, United Arab Emirates  
+971.4.378.1700  
Bangalore, India  
+91.80.6715.2001  
Istanbul, Turkey  
+90.216.250.7374  
Chat with us:  
[nvent.com/schroff](http://nvent.com/schroff)



Our powerful portfolio of brands:

**CADDY ERICO HOFFMAN ILSCO SCHROFF TRACHTE**