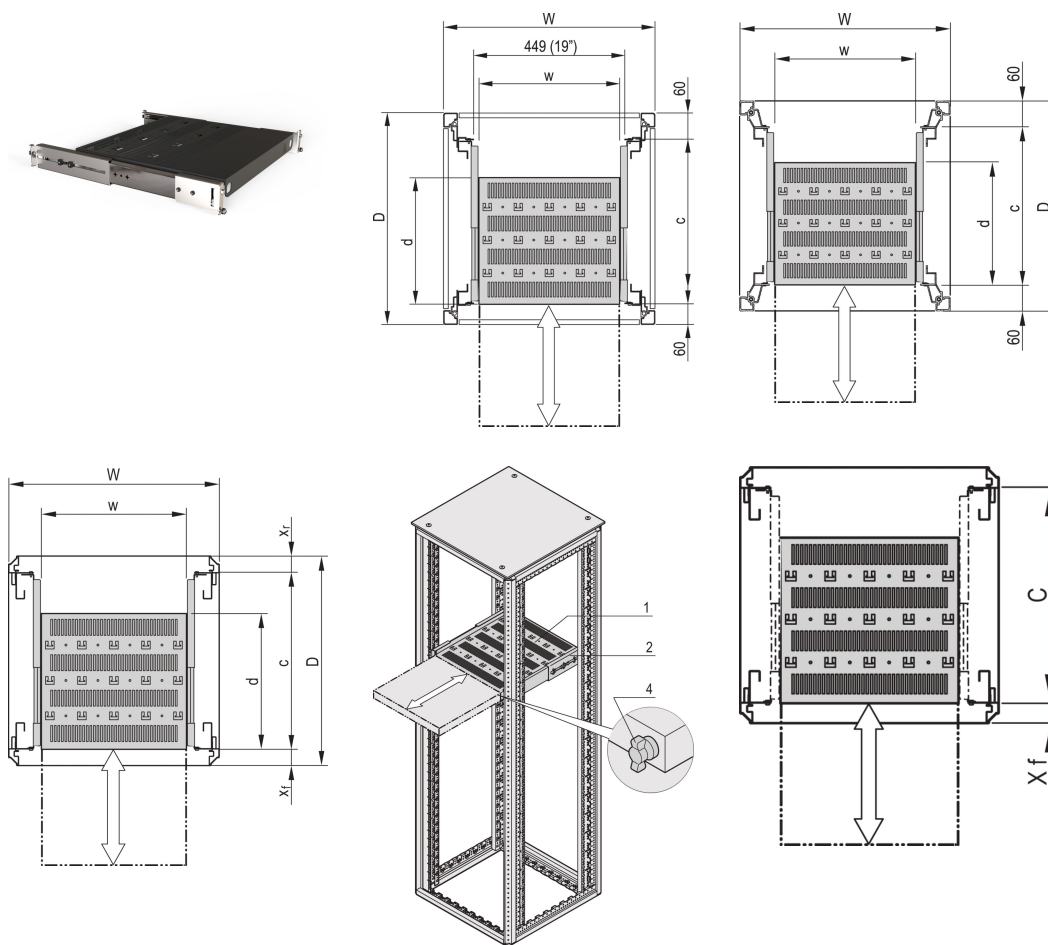


Varistar CP | 19" Telescopic Shelf, 70 kg, 553W 600D, RAL 7021

CATALOG NUMBER

21130-352



Varistar, Novastar and Eurorack 19" Shelf, Stationary with 70 kg load capacity, perforated for ease of assembly.

CERTIFICATIONS



FEATURES

Perforated cut-outs for assembling cable ties

Static load-carrying capacity 70 kg

Incl. telescopic slides

Locking with T-bar lock possible

St, 1.5 mm

Hammer head perforation for assembly with cable ties

PRODUCT ATTRIBUTES

Type: Equipment Shelf

Width: 600mm

Depth: 382mm

Package Quantity: 1

Color: Black Grey

Color Code: RAL 7021

Finish: Powder Coated

Material: Steel

Product Family: Varistar CP; Novastar

Product Type: Shelf

Works With: Varistar CP

Net Weight: 6.61kg

ADDITIONAL PRODUCT DETAILS

Mounting bracket for assembly of telescopic slide at frame please order separately.

Please order T-bar lock separately.

WARNING

nVent products shall be installed and used only as indicated in nVent's product instruction sheets and training materials. Instruction sheets are available at www.nvent.com and from your nVent customer service representative. Improper installation, misuse, misapplication or other failure to completely follow nVent's instructions and warnings may cause product malfunction, property damage, serious bodily injury and death and/or void your warranty.

North America

All locations

+1.763.422.2661

Chat with us:

nvent.com/schroff

Europe

Straubenhardt, Germany

+49.7082.794.0

Betschdorf, France

+33.3.88.90.64.90

Warsaw, Poland

+48.22.209.98.35

Assago, Italy

+39.02.932.7141

Chat with us:

nvent.com/schroff

Asia

Shanghai, China

+86.21.2412.6943

Qingdao, China

+86.532.8771.6101

Singapore

+65.6768.5800

Shin-Yokohama, Japan

+81.45.476.0271

Chat with us:

nvent.com/schroff

Middle East & India

Dubai, United Arab

Emirates

+971.4.378.1700

Bangalore, India

+91.80.6715.2001

Istanbul, Turkey

+90.216.250.7374

Chat with us:

nvent.com/schroff



Our powerful portfolio of brands:

CADDY

ERICO

HOFFMAN

ILSCO

SCHROFF

TRACHTE