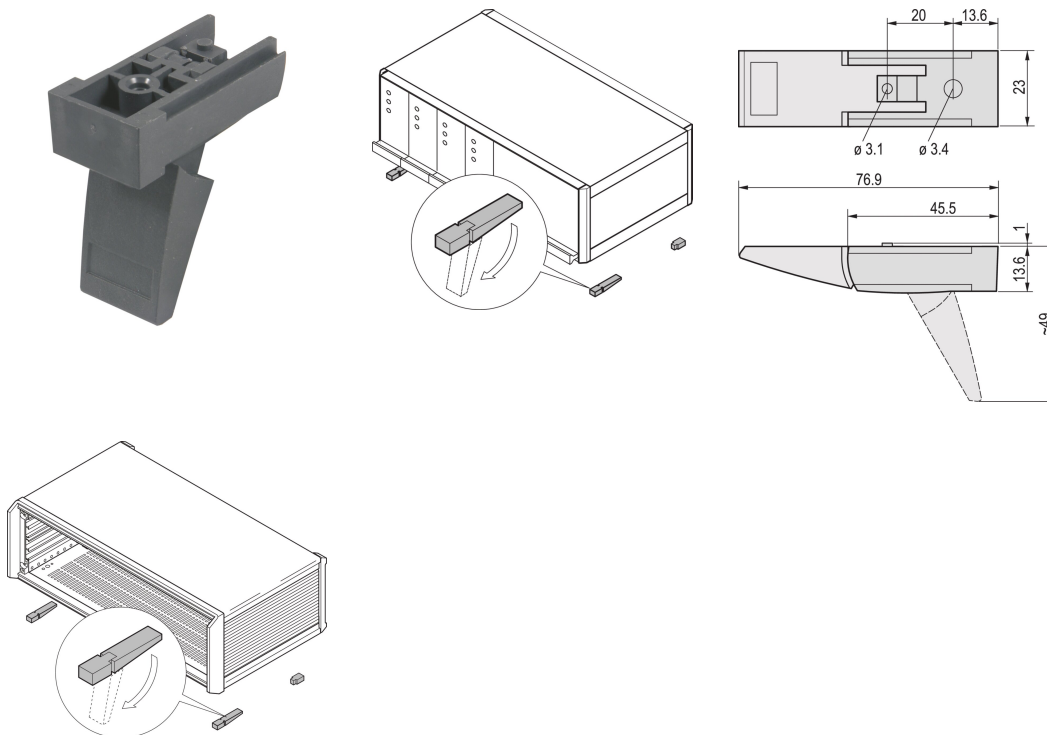


Tip-up Foot for Chassis, Plastic, RAL 7016

CATALOG NUMBER

20603-002



Flexible and robust Tip-up foot for chassis, with carrying capacity of 25 kg per foot. Suitable for RatiopacPRO/-AIR, PropacPRO, CompacPRO, Comptec and Interscale.

CERTIFICATIONS



FEATURES

Mounting holes are provided in bottom of case

Load-carrying capacity 25 kg per foot, max case weight: 50 kg

PRODUCT ATTRIBUTES

Package Quantity: 4

Material: Polyamide

Product Family: RatiopacPRO; RatiopacPRO AIR; CompacPRO; PropacPRO; Inpac

Product Type: Foot

Type: Foot

Works With: Cases

Gross Weight: 0.072kg

WARNING

nVent products shall be installed and used only as indicated in nVent's product instruction sheets and training materials. Instruction sheets are available at www.nvent.com and from your nVent customer service representative. Improper installation, misuse, misapplication or other failure to completely follow nVent's instructions and warnings may cause product malfunction, property damage, serious bodily injury and death and/or void your warranty.

North America

All locations

+1.763.422.2661

Chat with us:

nvent.com/schroff

Europe

Straubenhardt, Germany

+49.7082.794.0

Betschdorf, France

+33.3.88.90.64.90

Warsaw, Poland

+48.22.209.98.35

Assago, Italy

+39.02.932.7141

Chat with us:

nvent.com/schroff

Asia

Shanghai, China

+86.21.2412.6943

Qingdao, China

+86.532.8771.6101

Singapore

+65.6768.5800

Shin-Yokohama, Japan

+81.45.476.0271

Chat with us:

nvent.com/schroff

Middle East & India

Dubai, United Arab

Emirates

+971.4.378.1700

Bangalore, India

+91.80.6715.2001

Istanbul, Turkey

+90.216.250.7374

Chat with us:

nvent.com/schroff



Our powerful portfolio of brands:

CADDY

ERICO

HOFFMAN

ILSCO

SCHROFF

TRACHTE