

# Branch Line Restraint Structure Attachment to Threaded Hole

## Data Solutions



### CERTIFICATIONS



### FEATURES

Swivel barrel nut accepts 3/8" or 1/2" (M10 or M12) threaded rod

Attaches to concrete anchors or structural attachments with female threads

Can be used for bolting through steel

### SPECIFICATIONS

**Finish:** Electrogalvanized

**Material:** Steel

Table 1/2

Catalog Number	Article Number	Rod Size (RS)	Height (H)	Length (L)	Width (W)	Screw Diameter (Sc)
CSBBRS3EG		0.375, 0.5	28.2mm	40.4mm	26.9mm	0.375

Catalog Number	Article Number	Rod Size (RS)	Height (H)	Length (L)	Width (W)	Screw Diameter (Sc)
CSBBS3MEG	402241	10, 12	28.2mm	40.4mm	26.9mm	10

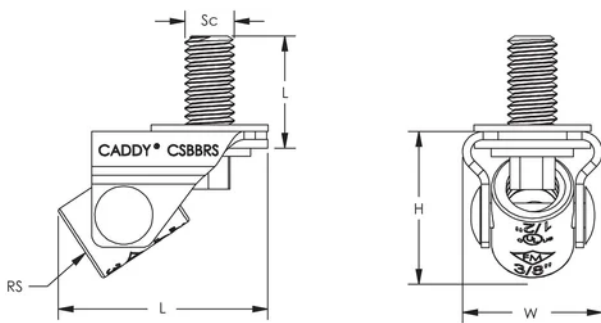
Table 2/2

Catalog Number	Article Number	Screw Length (L)	Certifications
CSBBS3EG		19mm	FM Approved, Seismic, OSHPD/HCAI, UL
CSBBS3MEG	402241	19mm	AON Fire Protection, Rigid Seismic, FM Approved, Seismic, UL

## ADDITIONAL PRODUCT DETAILS

Branch line structural attachments are for restraint only and not for the hanging of fire sprinkler piping.

## DIAGRAMS



## WARNING

nVent products shall be installed and used only as indicated in nVent's product instruction sheets and training materials. Instruction sheets are available at [www.nvent.com](http://www.nvent.com) and from your nVent customer service representative. Improper installation, misuse, misapplication or other failure to completely follow nVent's instructions and warnings may cause product malfunction, property damage, serious bodily injury and death and/or void your warranty.



Our powerful portfolio of brands:

**CADDY   ERICO   HOFFMAN   ILSCO   SCHROFF   TRACHTE**