

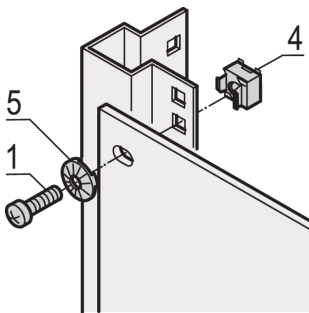
# GND/Earthing Cage Nut M6, 10 pcs

## Data Solutions

### CATALOG NUMBER

---

**21120-131**



Cage nuts permit range of choice of nut and bolts sizes and easily replaced unlike pre-threaded holes. Cage nuts are easy to use on materials too thin or soft to be threaded.

### CERTIFICATIONS

---



### FEATURES

---

For assembly of parts which require a thread size of M4 or M5

For standard grounding use a grounding nut and washer on at least one attachment point

### PRODUCT ATTRIBUTES

---

Finish: Zinc Plated

Package Quantity: 10

Thread Size: M6

Material: Steel

Product Family: RatiopacPRO; RatiopacPRO AIR; CompacPRO; PropacPRO; Comptec; Inpac; MultipacPRO

Product Type: Nut

Type: Cage Nut; Grounding

Works With: Front Panels; Eurorack; Novastar; Varistar; Varistar CP

Net Weight: 0.051kg

## WARNING

---

nVent products shall be installed and used only as indicated in nVent's product instruction sheets and training materials. Instruction sheets are available at [www.nvent.com](http://www.nvent.com) and from your nVent customer service representative. Improper installation, misuse, misapplication or other failure to completely follow nVent's instructions and warnings may cause product malfunction, property damage, serious bodily injury and death and/or void your warranty.



Our powerful portfolio of brands:

**CADDY   ERICO   HOFFMAN   ILSCO   SCHROFF   TRACHTE**