

Cable/Conduit Clip



CERTIFICATIONS



BABA



FEATURES

Supports conduit to rod, wire or flange

Can also be used for flexible metallic tubing, armored cable, portable cables, control tubes and communications cable

Available for EMT, rigid, ENT, IMT, MC/AC and aluminum conduit

No installation tools required

SPECIFICATIONS

Finish: nVent CADDY Armour

Material: Spring Steel

Table 1/2

Catalog Number	EMT Conduit Size	Rigid Conduit Size	MC/AC Cable Size	Outer Diameter (OD)	Static Load 1 (F1)	Static Load 2 (F2)
K12	1/2", 3/4"	1/2", 3/4"		0.94" Max	50lb	100lb
K8	1/2"	1/2"	12-3	0.71" Max	50lb	100lb

Catalog Number	EMT Conduit Size	Rigid Conduit Size	MC/AC Cable Size	Outer Diameter (OD)	Static Load 1 (F1)	Static Load 2 (F2)
K16	3/4", 1"	1/2", 3/4"		1.18" Max	50lb	100lb
K20	1", 1 1/4"	3/4", 1"		1.65" Max	50lb	100lb
KX			14-2 to 12-3	0.47" Max		

Table 2/2

Catalog Number	Static Load 3 (F3)	Certifications
K12	15lb	UL, ITB, cUL
K8	15lb	UL, cUL
K16	15lb	ITB, cUL, UL
K20	22lb	UL, ITB, cUL
KX		cUL, UL

ADDITIONAL PRODUCT DETAILS

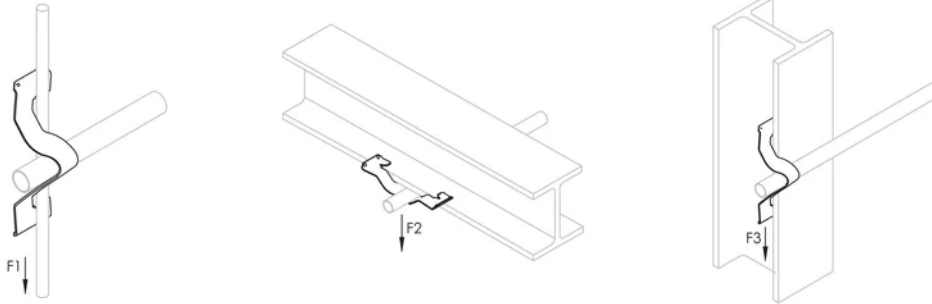
May require dedicated drop wire/rod and EC311. Consult local authority.

For horizontal application only when installing conduit.

Conduit Size	#10 or #12 Wire	#8 or #9 Wire	3/16" or 1/4" Rod	1/8" - 1/4" Flange	5/16" - 3/8" Flange	7/16" - 1/2" Flange
1/2" EMT	K8	K8	K8	K8	K12	K12
1/2" Rigid	K8	K12	K12	K12	K12	K16
3/4" EMT	K12	K12	K12	K12	K16	K16
3/4" Rigid	K12	K12	K16	K16	K20	K20
1" EMT	-	K16	K16	K16	K20	K20
1" Rigid	-	-	-	K20	K20	K20
1 1/4" EMT	-	K20	K20	K20	-	-

Cable Size	#12 Wire	#8, #9, #10 Wire
14-2 (.433" - .475" OD)	KX	KX
14-3 (.453" - .500" OD)	KX	KX
12-2 (.467" - .510" OD)	KX	KX
12-3 (.489" - .535" OD)	KX	K8

DIAGRAMS



WARNING

nVent products shall be installed and used only as indicated in nVent's product instruction sheets and training materials. Instruction sheets are available at www.nvent.com and from your nVent customer service representative. Improper installation, misuse, misapplication or other failure to completely follow nVent's instructions and warnings may cause product malfunction, property damage, serious bodily injury and death and/or void your warranty.

North America

+1.800.753.9221
Option 1 – Customer Care
Option 2 – Technical
Support

Europe

Netherlands:
+31 800-0200135
France:
+33 800 901 793

Europe

Germany:
800 1890272
Other Countries:
+31 13 5835404

APAC

Shanghai:
+ 86 21 2412 1618/19
Sydney:
+61 2 9751 8500



Our powerful portfolio of brands:

CADDY ERICO HOFFMAN ILSCO SCHROFF TRACHTE

