

# Multi-Function Clip



## CERTIFICATIONS



## FEATURES

Provides attachment of electrical boxes

Supports #10-24 and 1/4-20 (M6) threaded bridle rings

Instills more confidence installing conduit, MC/AC, and low voltage applications

## SPECIFICATIONS

**Finish:** nVent CADDY Armour

**Material:** Spring Steel

Table 1/2

Catalog Number	Rod Size (RS)	Wire Size	Flange Thickness (FT)	Hole Size (HS)	Screw Included	Screw Diameter (Sc)
4Z4S	1/4", 5/16", 3/8"	#12 - #8	1/8" - 3/8"		Yes	1/4"
4Z34	1/4", 5/16", 3/8"	#12 - #8	1/8" - 3/8"	1/4"	No	
8Z34	1/2", 5/8"	#1		1/4"	No	

CatalogNumber	Rod Size (RS)	Wire Size	Flange Thickness (FT)	Hole Size (HS)	Screw Included	ScrewDiameter (Sc)
8Z4S	1/2", 5/8"	#1			Yes	1/4"

Table 2/2

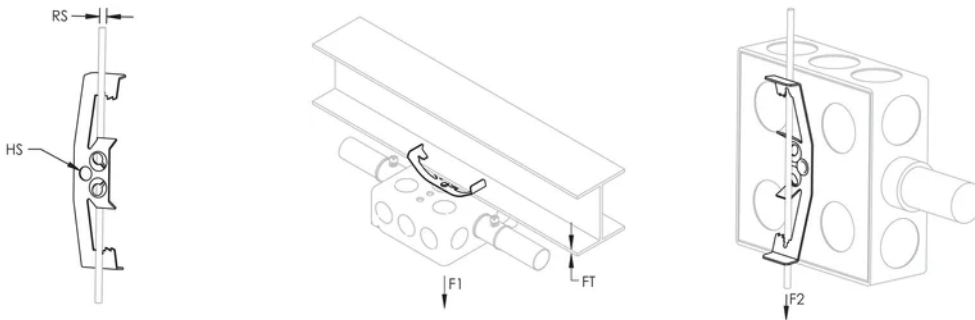
Catalog Number	Screw Diameter (Sc)	Static Load 1 (F1)	Static Load 2 (F2)	Certifications
4Z4S	1/4"	25lb	20lb	cUL, UL
4Z34		25lb	20lb	ITB, UL, cUL
8Z34			50lb	cUL, UL
8Z4S	1/4"		50lb	cUL, UL

## ADDITIONAL PRODUCT DETAILS

NEC® 300.11 requires dedicated drop wire/rod and EC311.

4Z parts installed on 3/8" (M10) smooth rod in the F2 direction has a Static Load Rating of 15 lb (67 N).

## DIAGRAMS



## WARNING

nVent products shall be installed and used only as indicated in nVent's product instruction sheets and training materials. Instruction sheets are available at [www.nvent.com](http://www.nvent.com) and from your nVent customer service representative. Improper installation, misuse, misapplication or other failure to completely follow nVent's instructions and warnings may cause product malfunction, property damage, serious bodily injury and death and/or void your warranty.

**North America**

+1.800.753.9221

Option 1 – Customer Care

Option 2 – Technical

Support

**Europe**

Netherlands:

+31 800-0200135

France:

+33 800 901 793

**Europe**

Germany:

800 1890272

Other Countries:

+31 13 5835404

**APAC**

Shanghai:

+ 86 21 2412 1618/19

Sydney:

+61 2 9751 8500



Our powerful portfolio of brands:

**CADDY ERICO HOFFMAN ILSCO SCHROFF TRACHTE**

