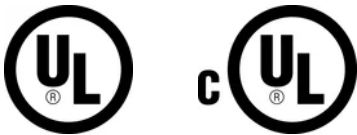


nVent CADDY Box Extension Ring



The nVent CADDY Box Extension Ring extends the working depth of any four-square box. This unique 4 in Extension Ring provides a quick and easy method to expand box volume—saving contractors time and money by not having to source another box.

CERTIFICATIONS



FEATURES

5/8 in deep with no knockouts

Innovative slots allow Extension Ring to be mounted to box without removing box screws, reducing installation time

Screws provided for mounting mud rings

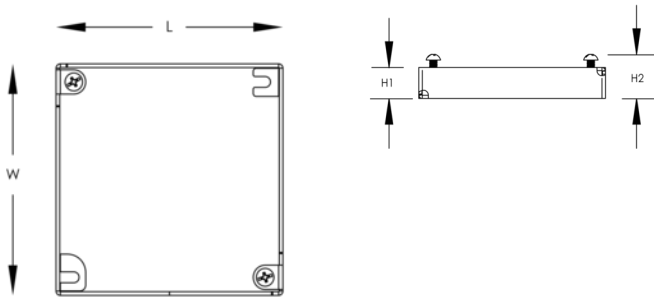
Compatible with any 4 in square electrical box

SPECIFICATIONS

Table 1/1

Catalog Number	Finish	Material	Length (L)	Width (W)	Height 1 (H1)	Height 2 (H2)
EXT58	Pregalvanized	Steel	4"	4"	0.625"	0.887"

DIAGRAMS



WARNING

nVent products shall be installed and used only as indicated in nVent's product instruction sheets and training materials. Instruction sheets are available at www.nvent.com and from your nVent customer service representative. Improper installation, misuse, misapplication or other failure to completely follow nVent's instructions and warnings may cause product malfunction, property damage, serious bodily injury and death and/or void your warranty.

North America

+1.800.753.9221
Option 1 – Customer Care
Option 2 – Technical
Support

Europe

Netherlands:
+31 800-0200135
France:
+33 800 901 793

Europe

Germany:
800 1890272
Other Countries:
+31 13 5835404

APAC

Shanghai:
+ 86 21 2412 1618/19
Sydney:
+61 2 9751 8500



Our powerful portfolio of brands:

CADDY ERICO HOFFMAN ILSCO SCHROFF TRACHTE

