

# Telescoping Pipe Stand



The nVent CADDY Telescoping Pipe Stand is an adjustable and flexible solution for supporting horizontal pipe runs using a traditional V-Saddle or bolt flange attachment method. The design ensures a faster installation that quickly adapts to a variety of pipe sizes and heights from the floor. The unique V-bolt fastener—with built in nVent CADDY Rod Lock Technology and flange attachment tabs—can adapt to a large range of bolt patterns, sizes and pipe diameters, ultimately reducing inventory and the amount of components needed with over two-thirds savings. Offering a complete out-of-the-box assembly, the nVent CADDY Telescoping Pipe Stand is a contemporary solution for pipe runs.

## CERTIFICATIONS



## FEATURES

Supports and fastens low-to-the-ground horizontal pipe runs

Telescoping post provides fast vertical height adjustment

Designed to minimize fabrication and reduce installation time of a complete stand compared to traditional methods

Integrated weep hole at bottom of stand provides drainage for condensation

Includes four holes for anchoring base to floor

Conforms with Federal Specification WW-H-171 (Type 36, 37, 38, 39), Manufacturers Standardization Society ANSI/MSS SP-58 (Type 36, 37, 38)

## SPECIFICATIONS

- Static Load Safety Factor:** 3.5:1
- Finish:** Electrogalvanized
- Material:** Steel

Table 1/2

Catalog Number	Pipe Size	A	B	C	D	E

CTS10	5" - 10"	16.000" - 25 7/8"	14 3/8"	8 1/2"	6 1/2"	5.31" - 10.25"
CTS04	1" - 4"	13.437" - 21.812"	6.812"	6 1/2"	5"	3.0625" - 6.0625"
CTSS04	1" - 4"	13 7/16" - 21.812"	6.812"	6 1/2"	5"	3.0625" - 6.0625"
CTSS10	5" - 10"	16.000" - 25 7/8"	14 3/8"	8 1/2"	6 1/2"	5.31" - 10.25"
CTS10A24	12" - 24"	7.56"	27"	1.33"		

Table 2/2

Catalog Number	G	Bolt Size	Hole Size (HS)	Static Load (F)	Unit Weight	Certifications
CTS10	23.937" - 40.187"	3/4"-1 1/4"	9/16"	1740lb	35.5 lb	
CTS04	23.687" - 38"	1/2" - 5/8"	9/16"	1370lb	26 lb	OSHDP/HCAI
CTSS04	15.312" - 23.437"	1/2" - 5/8"	9/16" - 5/8"	1370lb	18.51 lb	
CTSS10	15.750" - 23.937"	3/4"-1 1/4"	9/16" - 5/8"	1740lb	31.52 lb	
CTS10A24					7.49 lb	

## ADDITIONAL PRODUCT DETAILS

---

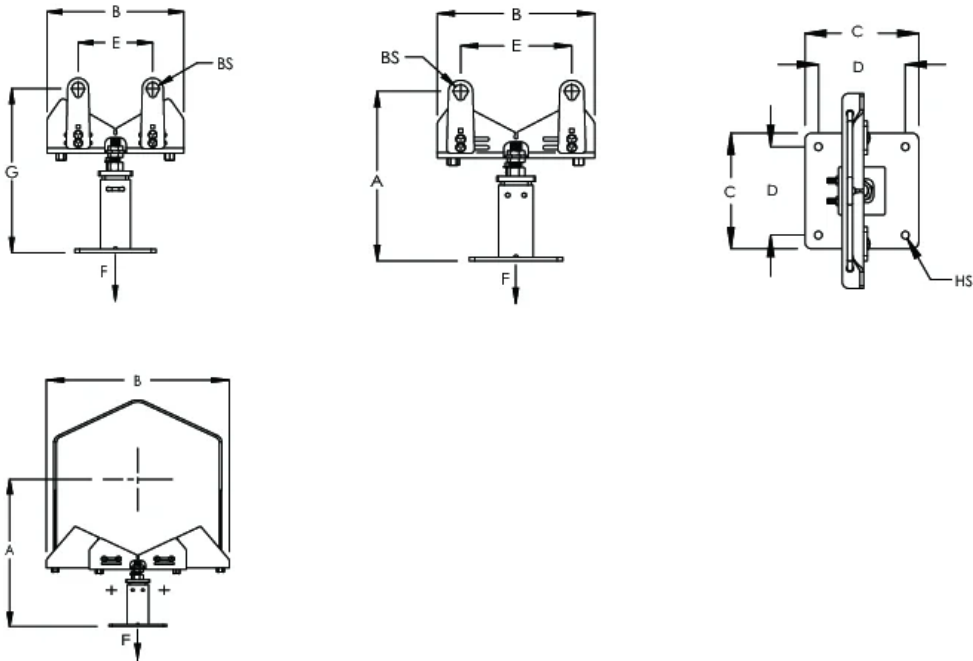
When insulating pipe install V-bolt after insulation.

Telescoping pipe stand can accommodate pipes up to 24" when v-bolt is removed. Installer must determine weight of the pipe and proper spacing when supporting larger sizes.

Part Number	Pipe Size	A	B	C	D	E	Static Load (F)	G	Bolt Size (BS)	Hole Size (HS)
CTSS04	1"	13 7/16" - 19 7/8"	6 13/16"	6 1/2"	5"	3 1/16" - 6 1/16"	1370 lb	15 15/16" - 23 7/16"	1/2" - 5/8"	9/16"
	1 1/4"	13 5/8" - 20 1/8"								
	1 1/2"	13 13/16" - 20 1/4"								
	2"	14" - 20 1/2"								
	3"	14 11/16" - 21 3/16"								
	4"	15 5/16" - 21 13/16"								
CTS04	1"	21 3/16" - 36 1/2"	6 13/16"	6 1/2"	5"	3 1/16" - 6 1/16"	1370 lb	23 11/16" - 38"	1/2" - 5/8"	9/16"
	1 1/4"	21 3/8" - 36 11/16"								
	1 1/2"	21 1/2" - 36 13/16"								
	2"	21 3/4" - 37 1/16"								
	3"	22 7/16" - 37 3/4"								
	4"	23 1/16" - 38 5/16"								
CTSS10	5"	16" - 22 7/8"	14 3/8"	8 1/2"	6 1/2"	3 1/16" - 6 1/16"	1740 lb	15 15/16" - 23 7/16"	3/4" - 1 1/4"	9/16"
	6"	16 5/8" - 23 1/2"								
	8"	17 3/4" - 24 5/8"								
	10"	19" - 25 7/8"								
CTS10	5"	23 13/16" - 39 1/8"	14 3/8"	8 1/2"	6 1/2"	3 1/16" - 6 1/16"	1740 lb	15 15/16" - 23 7/16"	3/4" - 1 1/4"	9/16"
	6"	24 7/16" - 39 3/4"								
	8"	25 5/8" - 40 15/16"								
	10"	26 13/16" - 42 1/8"								
CTSS10 With CTS10A24	12"	20 3/16" - 27"	27"	8 1/2"	6 1/2"	N/A	1740 lb	N/A	N/A	9/16"
	14"	20 7/8" - 27 3/4"								
	16"	22" - 28 7/8"								
	18"	23 3/16" - 30 1/16"								

20"	24 3/8" - 31 3/16"									
24"	26 11/16" - 33 1/2"									
CTS10 With CTS10A24	12"	28" - 43 5/16"	27"	8 1/2"	6 1/2"	N/A	1740 lb	N/A	N/A	9/16"
	14"	28 11/16" - 44"								
	16"	29 7/8" - 45 3/16"								
	18"	31" - 46 3/8"								
	20"	32 3/16" - 47 1/2"								
	24"	34 1/2" - 49 13/16"								

## DIAGRAMS



## WARNING

nVent products shall be installed and used only as indicated in nVent's product instruction sheets and training materials. Instruction sheets are available at [www.nvent.com](http://www.nvent.com) and from your nVent customer service representative. Improper installation, misuse, misapplication or other failure to completely follow nVent's instructions and warnings may cause product malfunction, property damage, serious bodily injury and death and/or void your warranty.

**North America**

+1.800.753.9221

Option 1 – Customer Care

Option 2 – Technical

Support

**Europe**

Netherlands:

+31 800-0200135

France:

+33 800 901 793

**Europe**

Germany:

800 1890272

Other Countries:

+31 13 5835404

**APAC**

Shanghai:

+ 86 21 2412 1618/19

Sydney:

+61 2 9751 8500



Our powerful portfolio of brands:

**CADDY ERICO HOFFMAN ILSCO SCHROFF TRACHTE**

