

Universal Structural Bracket



This code-compliant Structural Attachment is part of the nVent CADDY line of innovative rigid bracing system, designed to provide superior performance and meet the highest seismic load requirements. Its versatile design allows quick and easy installation directly to concrete, wood, bar joist or I-beam adapters and is compatible with 1" through 2" brace pipes. Its snap-off bolt makes inspection of seismic sway braces simple.

CERTIFICATIONS



FM Approved, Seismic

FEATURES

Universal design allows one product to attach directly to concrete, wood, bar joist or I-beam adapters

Integrated angle gauge easily displays brace member angle of installation

Snap-off bolt head helps enable easy installation and inspection of seismic sway braces

Works with 1" through 2" (25,4mm through 50,8mm) brace pipes to reduce inventory

Low profile minimizes prying effect on concrete fasteners

Meets NFPA® 13 as pre-qualified for seismic applications

FM Approved with the following brace members: Type A Solid Strut (12 gauge or thicker) and 1-2 in Sch40/EN 10255H Pipe

FM Specification Tested with the following brace members: Type A Solid Strut (12 gauge or thicker), 1-2 in Sch40/EN 10255H Pipe, 1 in EMT Conduit, and 1 in Rigid Conduit

SPECIFICATIONS

Finish: Electrogalvanized

Material: Steel

Table 1/2

Catalog Number	Hole Size (HS)	Width (W)	Thickness (T)	A	B	C
----------------	----------------	-----------	---------------	---	---	---

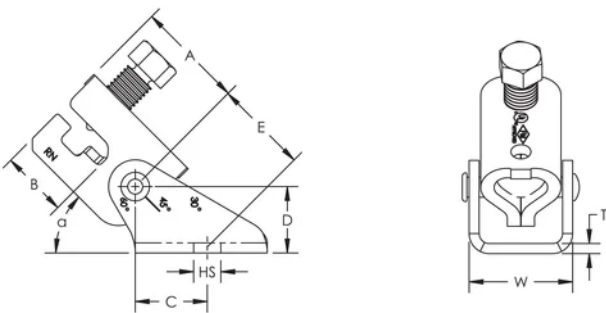
CSBU2N	0.81"	1 15/16"	3/16"	2 1/16"	1 5/16"	1 3/8"
CSBU1N	0.51"	1 15/16"	3/16"	2 1/16"	1 5/16"	1 3/8"
CSBU58N	0.69"	1 15/16"	3/16"	2 1/16"	1 5/16"	1 3/8"

Table 2/2

Catalog Number	D	E	UL Listed Load
CSBU2N	1 1/4"	1 3/4"	2000lb
CSBU1N	1 1/4"	1 3/4"	2000lb
CSBU58N	1 1/4"	1 3/4"	2000lb

FM Specification Testing					
Part Number	Brace Member	Horizontal Capacity per Installation Angle from Vertical			
		30° - 44°	45° - 59°	60° - 74°	75° - 90°
CSBU1xxx	1", 1-1/4", 1-1/2" or 2" NPS Sch 40	1,270 lb	1,660 lb	1,990 lb	2,320 lb
	A-12 Solid 12 Gauge Strut (Back)	1,090 lb	1,370 lb	1,400 lb	1,550 lb
	A-12 Solid 12 Gauge Strut (Side)	1,000 lb	1,380 lb	1,830 lb	2,030 lb
	1" EMT Conduit Steel as defined in ANSI C80.3	530 lb	911 lb	1,108 lb	1,223 lb
	1" Rigid Metallic Conduit Steel as defined in ANSI C80.1	530 lb	911 lb	1,108 lb	1,223 lb
CSBU2xxx	1", 1-1/4", 1-1/2" or 2" NPS Sch 40	1,110 lb	1,710 lb	2,140 lb	2,320 lb
	A-12 Solid 12 Gauge Strut (Back)	1,090 lb	1,370 lb	1,400 lb	1,550 lb
	A-12 Solid 12 Gauge Strut (Side)	1,000 lb	1,380 lb	1,830 lb	2,030 lb

DIAGRAMS



WARNING

nVent products shall be installed and used only as indicated in nVent's product instruction sheets and training materials. Instruction sheets are available at www.nvent.com and from your nVent customer service representative. Improper installation, misuse, misapplication or other failure to completely follow nVent's instructions and warnings may cause product malfunction, property damage, serious bodily injury and death and/or void your warranty.

North America

+1.800.753.9221

Option 1 – Customer Care

Option 2 – Technical

Support

Europe

Netherlands:

+31 800-0200135

France:

+33 800 901 793

Europe

Germany:

800 1890272

Other Countries:

+31 13 5835404

APAC

Shanghai:

+ 86 21 2412 1618/19

Sydney:

+61 2 9751 8500



Our powerful portfolio of brands:

CADDY ERICO HOFFMAN ILSCO SCHROFF TRACHTE

