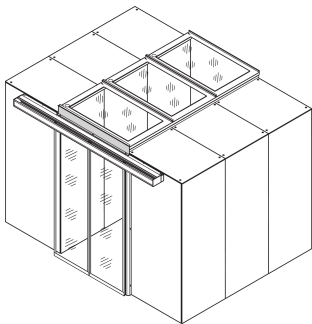


Aisle Containment Door Adapter Panel, for 52 U Rack with Adjustable Feet, RAL 7021

Data Solutions

CATALOG NUMBER

21630-164



Blanking panels for different aisle containment heights to avoid air leakage at aisle.

FEATURES

Cover to close gaps above the containment door

PRODUCT ATTRIBUTES

Type: Above Door Filler Panel, Sliding Door

Works With: Aisle Containment

Package Quantity: 1

Color: Black Grey

Color Code: RAL 7021

Finish: Powder Coated

Material: Steel

Product Type: Cover

Net Weight: 6.144kg

ADDITIONAL PRODUCT DETAILS

Trim covers upper area over door to the top cover.

WARNING

nVent products shall be installed and used only as indicated in nVent's product instruction sheets and training materials. Instruction sheets are available at www.nvent.com and from your nVent customer service representative. Improper installation, misuse, misapplication or other failure to completely follow nVent's instructions and warnings may cause product malfunction, property damage, serious bodily injury and death and/or void your warranty.



Our powerful portfolio of brands:

CADDY ERICO HOFFMAN ILSCO SCHROFF TRACHTE