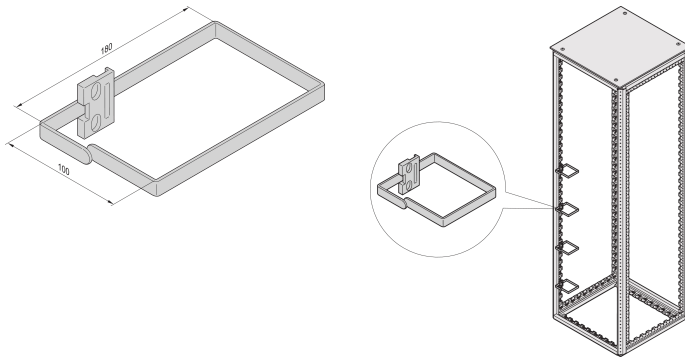


# Varistar CP | Cable Eye, Steel, 100W 180D

## Data Solutions

### CATALOG NUMBER

**23130-342**



Cable eyes for free standing racks to support vertical structured cable management along the Varistar frame uprights.

### CERTIFICATIONS



### FEATURES

For assembly on cabinet uprights (800 mm cabinet width) or laterally to the 19" panel/slide mounts

### PRODUCT ATTRIBUTES

Product Type: Cable Eye

Product Family: Varistar CP

Material: Steel; Zinc Alloy

Finish: Zinc Plated

Gross Weight: 0.898kg

Package Quantity: 4

## WARNING

---

nVent products shall be installed and used only as indicated in nVent's product instruction sheets and training materials. Instruction sheets are available at [www.nvent.com](http://www.nvent.com) and from your nVent customer service representative. Improper installation, misuse, misapplication or other failure to completely follow nVent's instructions and warnings may cause product malfunction, property damage, serious bodily injury and death and/or void your warranty.



Our powerful portfolio of brands:

**CADDY   ERICO   HOFFMAN   ILSCO   SCHROFF   TRACHTE**