

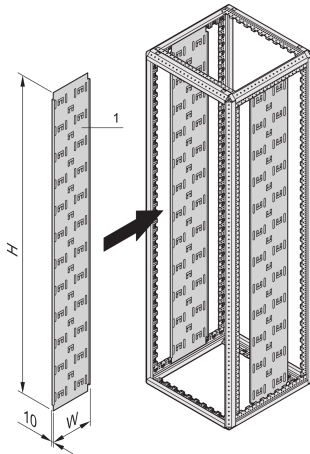
# Varistar CP | Cable Panel for Colocation Cabinet, 604H 110W

## Data Solutions

### CATALOG NUMBER

---

**23130-500**



Vertical cable panel for Varistar free standing cabinets powdered in cabinet color in different widths.

### CERTIFICATIONS

---



### FEATURES

---

For fitting directly onto the frame

Cables are assembled in place with cable ties or Velcro

### PRODUCT ATTRIBUTES

---

Package Quantity: 2

Color: Black Grey

Color Code: RAL 7021

Finish: Powder Coated

Material: Steel

Product Family: Varistar CP

Product Type: Cabinet/Rack Panel

Type: Cable Panel

Gross Weight: 2.5kg

## WARNING

---

nVent products shall be installed and used only as indicated in nVent's product instruction sheets and training materials. Instruction sheets are available at [www.nvent.com](http://www.nvent.com) and from your nVent customer service representative. Improper installation, misuse, misapplication or other failure to completely follow nVent's instructions and warnings may cause product malfunction, property damage, serious bodily injury and death and/or void your warranty.



Our powerful portfolio of brands:

**CADDY ERICO HOFFMAN ILSCO SCHROFF TRACHTE**