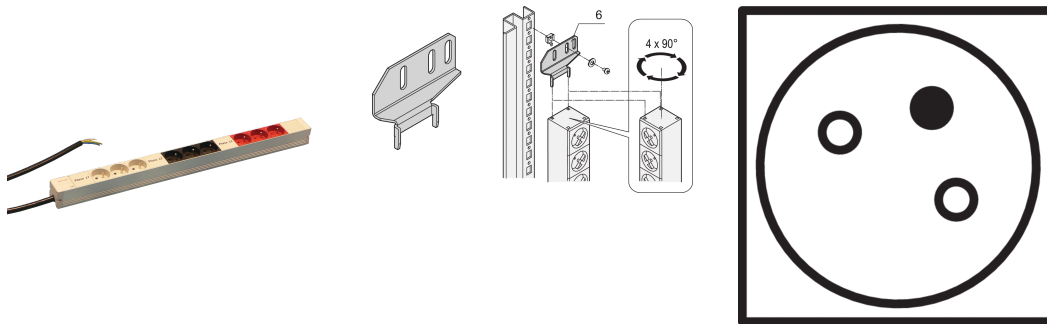


# Socket Strip, UTE, 3-Phase, 9 Sockets

## Data Solutions

### CATALOG NUMBER

**60110-233**



Modular, compact PDU with many function elements. Using a 1 U by 1 U aluminum chassis the PDU can easily be integrated in a rack with UTE outlets.

### CERTIFICATIONS



### FEATURES

Connecting cable 2 m, open end with ferrules

Socket strips can be rotated through all four directions (in 90° increments) during installation

Socket strips with UTE sockets, 3-phase

3-phase, 16 A per phase

In accordance with NFC 61-303

Vertical mounting

Installation height 1 U

## PRODUCT ATTRIBUTES

---

Product Type: Socket Strip

Socket Type: UTE

Socket Quantity: 9

Color: Grey; Black; Red

Switched Outlets: No

Voltage AC: 230V

Finish: Anodized

Material: Aluminum; Polyamide

Net Weight: 1.64kg

Package Quantity: 1

## ADDITIONAL PRODUCT DETAILS

---

Please order bracket for vertical mounting separately.

## WARNING

---

nVent products shall be installed and used only as indicated in nVent's product instruction sheets and training materials. Instruction sheets are available at [www.nvent.com](http://www.nvent.com) and from your nVent customer service representative. Improper installation, misuse, misapplication or other failure to completely follow nVent's instructions and warnings may cause product malfunction, property damage, serious bodily injury and death and/or void your warranty.



Our powerful portfolio of brands:

**CADDY ERICO HOFFMAN ILSCO SCHROFF TRACHTE**