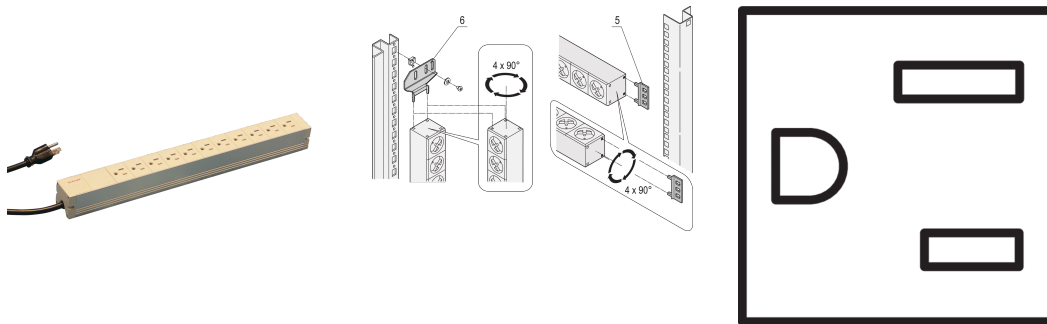


Socket Strip, USA, 11 Sockets, 19"

Data Solutions

CATALOG NUMBER

60110-240



Modular, compact PDU with many function elements. Using a 1 U by 1 U aluminum chassis the PDU can easily be integrated in a rack with US outlets.

CERTIFICATIONS



FEATURES

Horizontal or vertical mounting

Socket strips can be rotated through all four directions (in 90° increments) during installation

Connecting cable 2 m, with USA plug

Socket strips with USA sockets

Mounting height 1 U

115 V, 15 A

In accordance with UL-498

PRODUCT ATTRIBUTES

Socket Type: USA

Socket Quantity: 11

Switched Outlets: No

Voltage AC: 115V

Package Quantity: 1

Color: Grey

Finish: Anodized

Material: Aluminum; Polyamide

Product Type: Socket Strip

Gross Weight: 0.944kg

ADDITIONAL PRODUCT DETAILS

Please order bracket for vertical mounting separately.

WARNING

nVent products shall be installed and used only as indicated in nVent's product instruction sheets and training materials. Instruction sheets are available at www.nvent.com and from your nVent customer service representative. Improper installation, misuse, misapplication or other failure to completely follow nVent's instructions and warnings may cause product malfunction, property damage, serious bodily injury and death and/or void your warranty.



Our powerful portfolio of brands:

CADDY ERICO HOFFMAN ILSCO SCHROFF TRACHTE