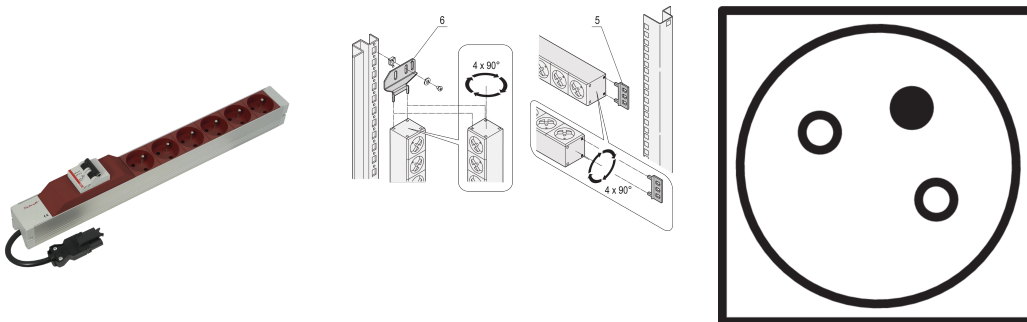


Socket Strip, UTE, With Wieland® Input, 6 Sockets, 19", Red, With Overcurrent Protection

Data Solutions

CATALOG NUMBER

60110-357



Modular, compact PDU with many function elements. Using a 1 U by 1 U aluminum chassis the PDU can easily be integrated in a rack. The Wieland connector allows easy combination with different power input cords.

CERTIFICATIONS



FEATURES

Input via Wieland® GST 18 plug

Socket strips can be rotated through all four directions (in 90° increments) during fitting

Output via UTE sockets

Horizontal or vertical mounting

Installation height 1 U

In accordance with NFC 61-303

PRODUCT ATTRIBUTES

Socket Type: UTE

Socket Quantity: 6

Switched Outlets: No

Voltage AC: 230V

Function: Overcurrent Protection

Package Quantity: 1

Color: Red

Finish: Anodized

Material: Aluminum; Polyamide

Product Type: Socket Strip

Net Weight: 0.945kg

ADDITIONAL PRODUCT DETAILS

Please order mounting bracket for vertical mounting separately.

WARNING

nVent products shall be installed and used only as indicated in nVent's product instruction sheets and training materials. Instruction sheets are available at www.nvent.com and from your nVent customer service representative. Improper installation, misuse, misapplication or other failure to completely follow nVent's instructions and warnings may cause product malfunction, property damage, serious bodily injury and death and/or void your warranty.



Our powerful portfolio of brands:

CADDY ERICO HOFFMAN ILSCO SCHROFF TRACHTE