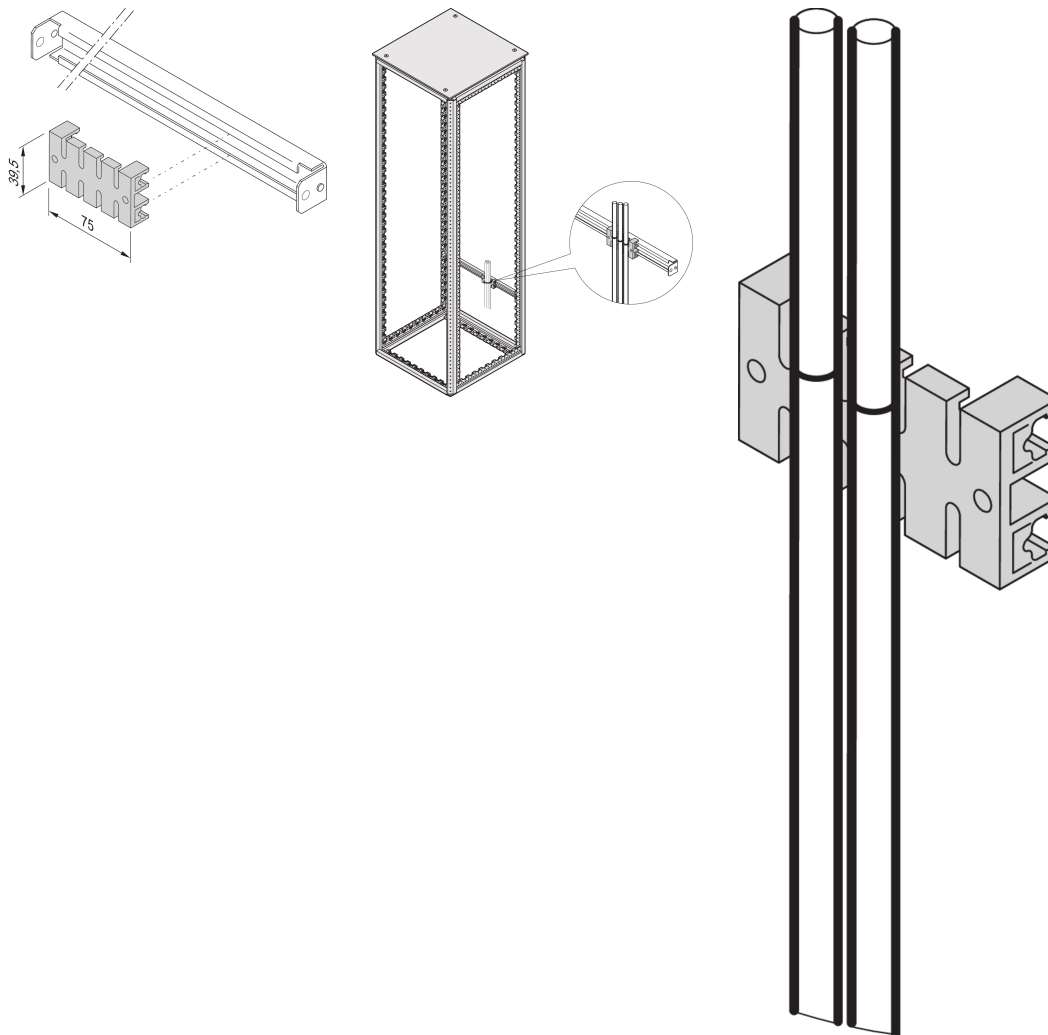


# C-Rail Cable Retention Rail

## Data Solutions

CATALOG NUMBER

**60118-472**



C-Rails are for better cable management. Installation generally behind the 19" uprights. They are compatible with standard cable clabs.

## CERTIFICATIONS

---



## FEATURES

---

Assembly by clipping onto the C-rail

Assembling of cables with cable ties or Velcro

## PRODUCT ATTRIBUTES

---

Product Type: Guide

Product Family: Varistar CP

Works With: Varistar CP

Material: Polyamide

Net Weight: 0.017kg

Package Quantity: 5

## WARNING

---

nVent products shall be installed and used only as indicated in nVent's product instruction sheets and training materials. Instruction sheets are available at [www.nvent.com](http://www.nvent.com) and from your nVent customer service representative. Improper installation, misuse, misapplication or other failure to completely follow nVent's instructions and warnings may cause product malfunction, property damage, serious bodily injury and death and/or void your warranty.



Our powerful portfolio of brands:

**CADDY ERICO HOFFMAN ILSCO SCHROFF TRACHTE**