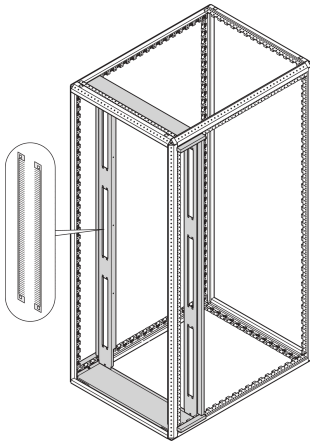


Varistar CP | Aisle Containment Brush Strip for 2 U 19" Cutouts

Data Solutions

CATALOG NUMBER

60130-850



Brush strip to close 2 U by 19" cutouts for air management blanking panels. Square hole mounting with cage nuts.

CERTIFICATIONS



FEATURES

Brush strip to close cutouts

For 2 U air management blanking panels

PRODUCT ATTRIBUTES

Product Type: Brush Strip

Product Family: Varistar CP

Works With: Aisle Containment; Varistar CP

Material: PVC; Polyamide

Color: Black

Rack Height: 2U

Net Weight: 0.35kg

Package Quantity: 1

WARNING

nVent products shall be installed and used only as indicated in nVent's product instruction sheets and training materials. Instruction sheets are available at www.nvent.com and from your nVent customer service representative. Improper installation, misuse, misapplication or other failure to completely follow nVent's instructions and warnings may cause product malfunction, property damage, serious bodily injury and death and/or void your warranty.



Our powerful portfolio of brands:

CADDY ERICO HOFFMAN ILSCO SCHROFF TRACHTE