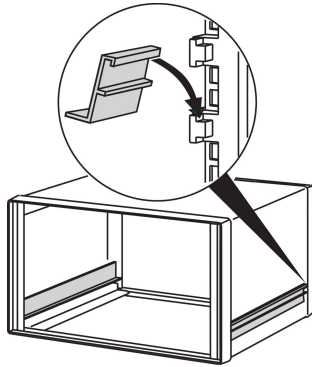


Comptec Slide Rail for 19" Case



Slide rails are made from Aluminum profile, suitable as supports for 19" subracks and 19" chassis.

CERTIFICATIONS



FEATURES

Slide rails are suitable as supports for 19" subracks and 19" chassis

SPECIFICATIONS

- Material:** Aluminum
- Works With:** Cases
- Product Family:** Comptec
- Product Type:** Slide Rail

Table 1/1

Catalog Number	Package Quantity
30225-089	1
30225-092	1
30225-091	1
30225-090	1

ADDITIONAL PRODUCT DETAILS

2 slide rails are required per subrack or 19" chassis.

Slide rail cannot be used for shielded 19" subracks; special slide rails available on request.

WARNING

nVent products shall be installed and used only as indicated in nVent's product instruction sheets and training materials. Instruction sheets are available at www.nvent.com and from your nVent customer service representative. Improper installation, misuse, misapplication or other failure to completely follow nVent's instructions and warnings may cause product malfunction, property damage, serious bodily injury and death and/or void your warranty.

North America

All locations
+1.763.422.2661
Chat with us:
nvent.com/schroff

Europe

Straubenhardt, Germany
+49.7082.794.0
Betschdorf, France
+33.3.88.90.64.90
Warsaw, Poland
+48.22.209.98.35
Assago, Italy
+39.02.932.7141
Chat with us:
nvent.com/schroff

Asia

Shanghai, China
+86.21.2412.6943
Qingdao, China
+86.532.8771.6101
Singapore
+65.6768.5800
Shin-Yokohama, Japan
+81.45.476.0271
Chat with us:
nvent.com/schroff

Middle East & India

Dubai, United Arab
Emirates
+971.4.378.1700
Bangalore, India
+91.80.6715.2001
Istanbul, Turkey
+90.216.250.7374
Chat with us:
nvent.com/schroff



Our powerful portfolio of brands:

CADDY ERICO HOFFMAN ILSCO SCHROFF TRACHTE