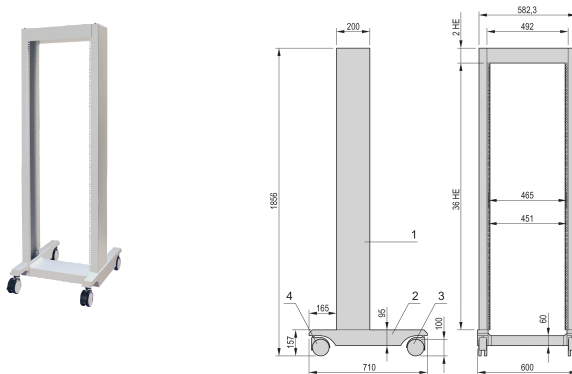


# 19" Labrack Mobile

## CATALOG NUMBER

**10117-498**



Open frame rack with 200 kg load capacity and recommended chassis depth of upto 400 mm, ideally for general electronics, test & measurement, audio/video and broadcasting applications.

## CERTIFICATIONS



## FEATURES

Stationary load-carrying capacity 200 kg at a defined center of gravity in the center of the lab rack

Recommended max. chassis depth 400 mm

## PRODUCT ATTRIBUTES

Product Type: Rack

Product Family: Labrack

Frame Material: Steel

Rack Height: 36U

Complies With: IEC 60297-3-100

Finish: Powder Coated

Material: Aluminum; Steel

Net Weight: 48kg

Package Quantity: 1

## WARNING

nVent products shall be installed and used only as indicated in nVent's product instruction sheets and training materials. Instruction sheets are available at [www.nvent.com](http://www.nvent.com) and from your nVent customer service representative. Improper installation, misuse, misapplication or other failure to completely follow nVent's instructions and warnings may cause product malfunction, property damage, serious bodily injury and death and/or void your warranty.

### North America

All locations  
+1.763.422.2661  
Chat with us:  
[nvent.com/schroff](http://nvent.com/schroff)

### Europe

Straubenhardt, Germany  
+49.7082.794.0  
Betschdorf, France  
+33.3.88.90.64.90  
Warsaw, Poland  
+48.22.209.98.35  
Assago, Italy  
+39.02.932.7141  
Chat with us:  
[nvent.com/schroff](http://nvent.com/schroff)

### Asia

Shanghai, China  
+86.21.2412.6943  
Qingdao, China  
+86.532.8771.6101  
Singapore  
+65.6768.5800  
Shin-Yokohama, Japan  
+81.45.476.0271  
Chat with us:  
[nvent.com/schroff](http://nvent.com/schroff)

### Middle East & India

Dubai, United Arab  
Emirates  
+971.4.378.1700  
Bangalore, India  
+91.80.6715.2001  
Istanbul, Turkey  
+90.216.250.7374  
Chat with us:  
[nvent.com/schroff](http://nvent.com/schroff)



Our powerful portfolio of brands:

**CADDY ERICO HOFFMAN ILSCO SCHROFF TRACHTE**