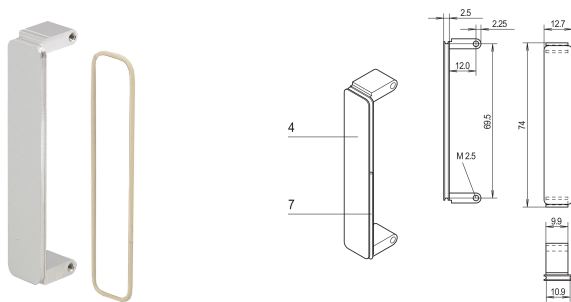


PMC Mezzanine Front Panel, Non-Shielded, Al, Anodized

CATALOG NUMBER

20835-899



Mezzanine front panel is fitted into PMC front panel cut-outs. Available in different treatments.

CERTIFICATIONS



FEATURES

Mezzanine front panel is fitted into PMC front panel cut-outs

EMC shielding with conductive O-ring

PRODUCT ATTRIBUTES

Product Type: Front Panel

Type: Mezzanine Front Panel

Accessory Type: Front panel

Mounting: Snapped in

EMC Shielding: No (Retrofittable)

Gasket Type: O-Ring EMC

Material: Aluminum

Front Finish: Anodized

Rear Finish: Conductive

Treated Edges: Yes

Complies With: PMC Mezzanine, IEEE P1386

Package Quantity: 10

Finish: Anodized

Net Weight: 0.11kg

WARNING

nVent products shall be installed and used only as indicated in nVent's product instruction sheets and training materials. Instruction sheets are available at www.nvent.com and from your nVent customer service representative. Improper installation, misuse, misapplication or other failure to completely follow nVent's instructions and warnings may cause product malfunction, property damage, serious bodily injury and death and/or void your warranty.

North America

All locations
+1.763.422.2661
Chat with us:
nvent.com/schroff

Europe

Straubenhardt, Germany
+49.7082.794.0
Betschdorf, France
+33.3.88.90.64.90
Warsaw, Poland
+48.22.209.98.35
Assago, Italy
+39.02.932.7141
Chat with us:
nvent.com/schroff

Asia

Shanghai, China
+86.21.2412.6943
Qingdao, China
+86.532.8771.6101
Singapore
+65.6768.5800
Shin-Yokohama, Japan
+81.45.476.0271
Chat with us:
nvent.com/schroff

Middle East & India

Dubai, United Arab
Emirates
+971.4.378.1700
Bangalore, India
+91.80.6715.2001
Istanbul, Turkey
+90.216.250.7374
Chat with us:
nvent.com/schroff



Our powerful portfolio of brands:

CADDY ERICO HOFFMAN ILSCO SCHROFF TRACHTE