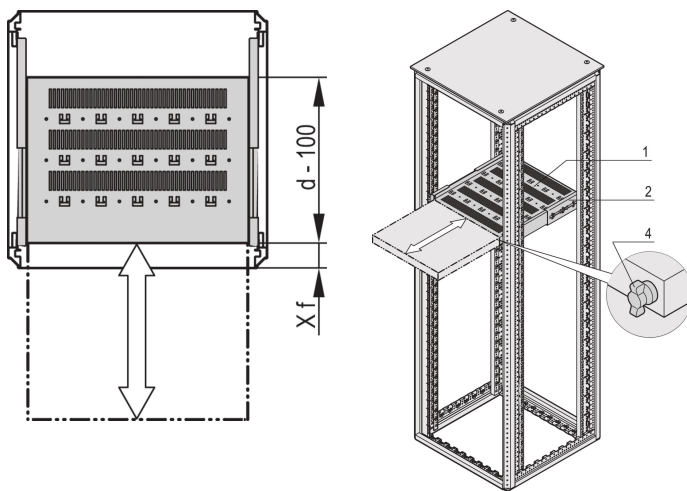


# Varistar CP | 19" Telescopic Shelf 70 kg, 800W 700D, RAL 7035

## CATALOG NUMBER

22130-374



Varistar, Novastar and Eurorack 19" Shelf, Stationary with 70 kg load capacity, perforated for ease of assembly.

## CERTIFICATIONS



## FEATURES

Perforated cut-outs for assembling cable ties

Static load-carrying capacity 70 kg

Incl. telescopic slides

Locking with T-bar lock possible

St, 1.5 mm

Hammer head perforation for assembly with cable ties

## PRODUCT ATTRIBUTES

---

Type: Telescopic Shelf

Package Quantity: 1

Color: Black Grey

Color Code: RAL 7021

Finish: Powder Coated

Material: Steel

Product Family: Varistar CP; Novastar

Product Type: Shelf

Gross Weight: 11.1kg

## ADDITIONAL PRODUCT DETAILS

---

Mounting bracket for assembly of telescopic slide at frame please order separately.

Please order T-bar lock separately.

## WARNING

---

nVent products shall be installed and used only as indicated in nVent's product instruction sheets and training materials. Instruction sheets are available at [www.nvent.com](http://www.nvent.com) and from your nVent customer service representative. Improper installation, misuse, misapplication or other failure to completely follow nVent's instructions and warnings may cause product malfunction, property damage, serious bodily injury and death and/or void your warranty.

### North America

All locations  
+1.763.422.2661  
Chat with us:  
[nvent.com/schroff](http://nvent.com/schroff)

### Europe

Straubenhardt, Germany  
+49.7082.794.0  
Betschdorf, France  
+33.3.88.90.64.90  
Warsaw, Poland  
+48.22.209.98.35  
Assago, Italy  
+39.02.932.7141  
Chat with us:  
[nvent.com/schroff](http://nvent.com/schroff)

### Asia

Shanghai, China  
+86.21.2412.6943  
Qingdao, China  
+86.532.8771.6101  
Singapore  
+65.6768.5800  
Shin-Yokohama, Japan  
+81.45.476.0271  
Chat with us:  
[nvent.com/schroff](http://nvent.com/schroff)

### Middle East & India

Dubai, United Arab  
Emirates  
+971.4.378.1700  
Bangalore, India  
+91.80.6715.2001  
Istanbul, Turkey  
+90.216.250.7374  
Chat with us:  
[nvent.com/schroff](http://nvent.com/schroff)



Our powerful portfolio of brands:

**CADDY ERICO HOFFMAN ILSCO SCHROFF TRACHTE**