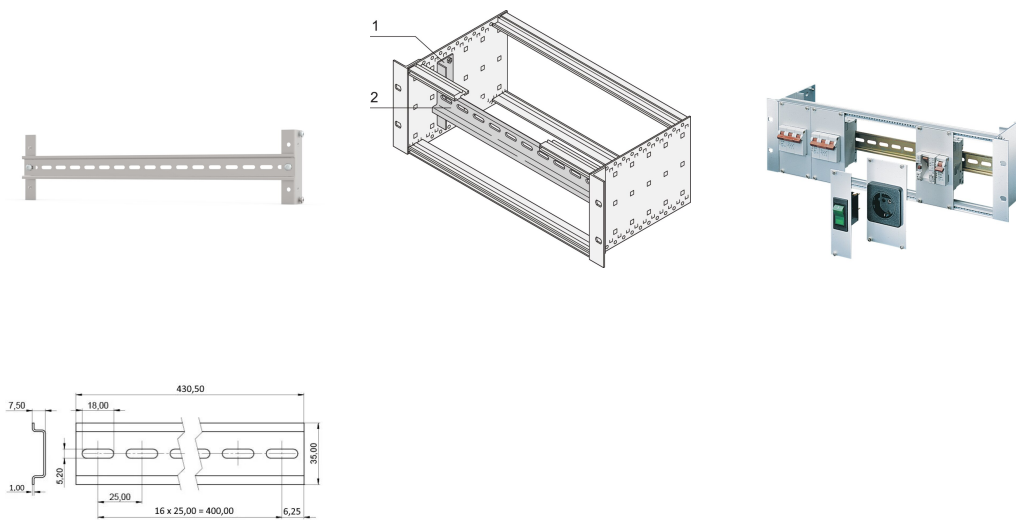


EuropacPRO Support Rail to DIN 43880 and DIN 60715

CATALOG NUMBER

24565-100



Support rail to clip on retainer of modules in accordance with DIN 43880 like fuses or circuit breakers.

CERTIFICATIONS



FEATURES

For retainer of modules in accordance with DIN 43880 and DIN 60715 like e.g. fuses or circuit breakers

For assembly on 19" module support

Support Rail, 430.5 x 35 x 7.5 mm

PRODUCT ATTRIBUTES

Product Type: Support Rail

Product Family: EuropacPRO

Works With: Subracks

Material: Steel; Aluminium

Rack Width: 84HP

Package Quantity: 1

Finish: Zinc Plated

Gross Weight: 0.278kg

WARNING

nVent products shall be installed and used only as indicated in nVent's product instruction sheets and training materials. Instruction sheets are available at www.nvent.com and from your nVent customer service representative. Improper installation, misuse, misapplication or other failure to completely follow nVent's instructions and warnings may cause product malfunction, property damage, serious bodily injury and death and/or void your warranty.

North America

All locations
+1.763.422.2661
Chat with us:
nvent.com/schroff

Europe

Straubenhardt, Germany
+49.7082.794.0
Betschdorf, France
+33.3.88.90.64.90
Warsaw, Poland
+48.22.209.98.35
Assago, Italy
+39.02.932.7141
Chat with us:
nvent.com/schroff

Asia

Shanghai, China
+86.21.2412.6943
Qingdao, China
+86.532.8771.6101
Singapore
+65.6768.5800
Shin-Yokohama, Japan
+81.45.476.0271
Chat with us:
nvent.com/schroff

Middle East & India

Dubai, United Arab Emirates
+971.4.378.1700
Bangalore, India
+91.80.6715.2001
Istanbul, Turkey
+90.216.250.7374
Chat with us:
nvent.com/schroff



Our powerful portfolio of brands:

CADDY ERICO HOFFMAN ILSCO SCHROFF TRACHTE