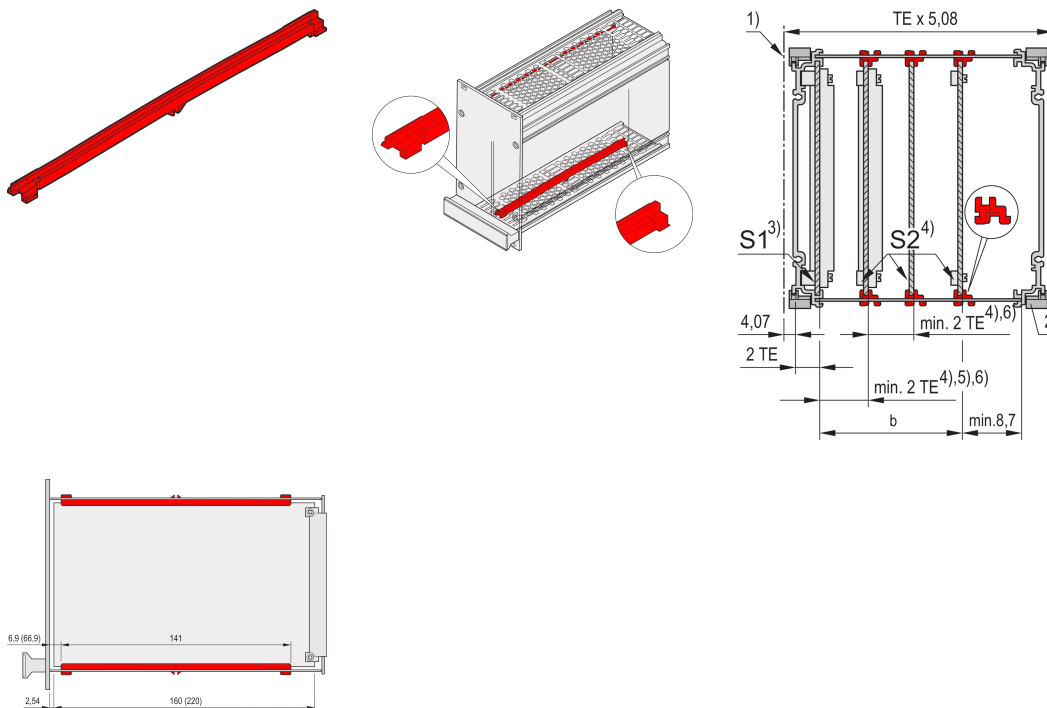


Frame Type Plug-In Unit Guide Rail, 5 Pairs

CATALOG NUMBER

24812-101



The guide rails can be clipped onto the perforated top / bottom cover. It is required if the PCB will be assembled from Slot 2.

CERTIFICATIONS



FEATURES

PCB fixing required from slot 2

Groove width 2 mm

PC, UL, 94, V-0

Red

PRODUCT ATTRIBUTES

Product Type: Guide Rail

Type: Frame Type Plug-In Unit

Works With: Frame Type Plug-In Unit

Material: Polycarbonate

Color: Red

Package Quantity: 10

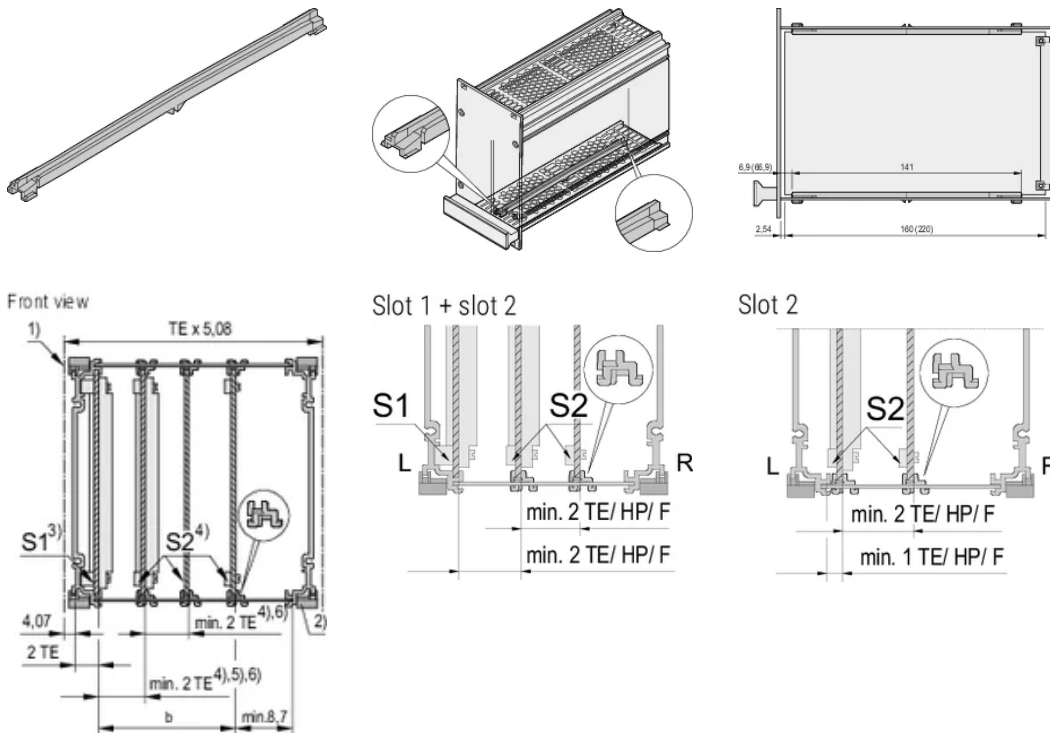
Package Unit: Pair

Gross Weight: 0.037kg

ADDITIONAL PRODUCT DETAILS

Guide rail fit to 167 mm and 227 deep cassettes.

DIAGRAMS



WARNING

nVent products shall be installed and used only as indicated in nVent's product instruction sheets and training materials. Instruction sheets are available at www.nvent.com and from your nVent customer service representative. Improper installation, misuse, misapplication or other failure to completely follow nVent's instructions and warnings may cause product malfunction, property damage, serious bodily injury and death and/or void your warranty.

North America

All locations

+1.763.422.2661

Chat with us:

nvent.com/schroff

Europe

Straubenhardt, Germany

+49.7082.794.0

Betschdorf, France

+33.3.88.90.64.90

Warsaw, Poland

+48.22.209.98.35

Assago, Italy

+39.02.932.7141

Chat with us:

nvent.com/schroff

Asia

Shanghai, China

+86.21.2412.6943

Qingdao, China

+86.532.8771.6101

Singapore

+65.6768.5800

Shin-Yokohama, Japan

+81.45.476.0271

Chat with us:

nvent.com/schroff

Middle East & India

Dubai, United Arab

Emirates

+971.4.378.1700

Bangalore, India

+91.80.6715.2001

Istanbul, Turkey

+90.216.250.7374

Chat with us:

nvent.com/schroff



Our powerful portfolio of brands:

CADDY

ERICO

HOFFMAN

ILSCO

SCHROFF

TRACHTE