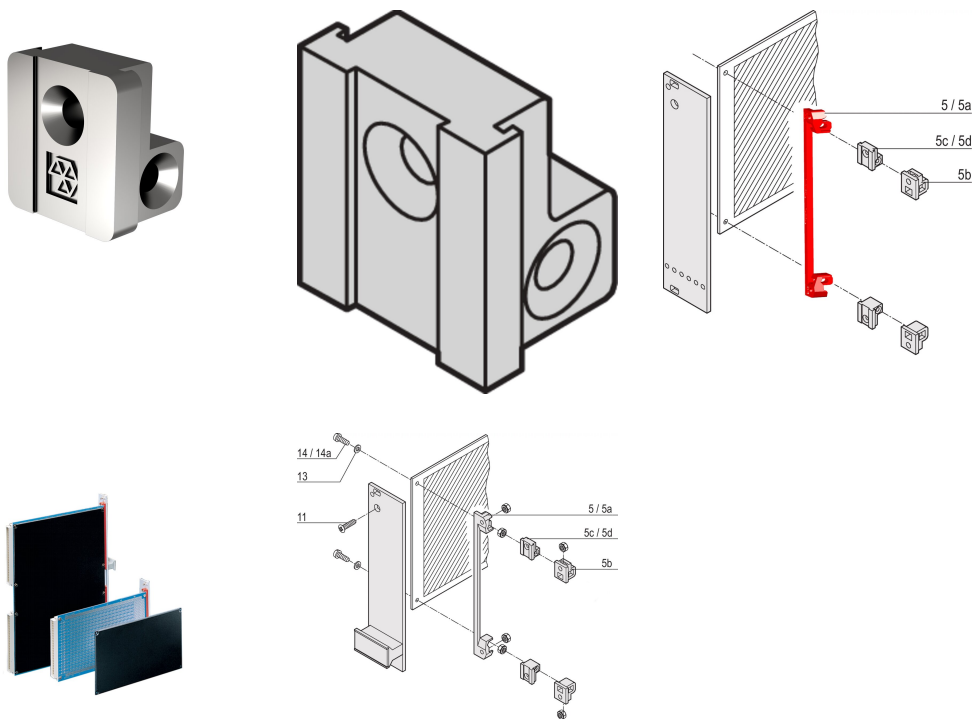


# PCB Bracket for Fixing Front Panel/PCB, Die-Cast Zinc

## CATALOG NUMBER

60807-181



The PCB support brackets enable the fixing of a PCB to front panel. Available in different materials.

## CERTIFICATIONS



## FEATURES

For fixing PCB to front panel

## PRODUCT ATTRIBUTES

---

Material: Zinc Alloy

Package Quantity: 1

Product Type: Bracket

Type: PCB Bracket

Works With: Front Panels

Thread Size: M2.5

Thread Type: Metric

## ADDITIONAL PRODUCT DETAILS

---

Delivery is in standard pack multiples. Pricing is per individual item.

## WARNING

---

nVent products shall be installed and used only as indicated in nVent's product instruction sheets and training materials. Instruction sheets are available at [www.nvent.com](http://www.nvent.com) and from your nVent customer service representative. Improper installation, misuse, misapplication or other failure to completely follow nVent's instructions and warnings may cause product malfunction, property damage, serious bodily injury and death and/or void your warranty.

### North America

All locations

+1.763.422.2661

Chat with us:

[nvent.com/schroff](http://nvent.com/schroff)

### Europe

Straubenhardt, Germany

+49.7082.794.0

Betschdorf, France

+33.3.88.90.64.90

Warsaw, Poland

+48.22.209.98.35

Assago, Italy

+39.02.932.7141

Chat with us:

[nvent.com/schroff](http://nvent.com/schroff)

### Asia

Shanghai, China

+86.21.2412.6943

Qingdao, China

+86.532.8771.6101

Singapore

+65.6768.5800

Shin-Yokohama, Japan

+81.45.476.0271

Chat with us:

[nvent.com/schroff](http://nvent.com/schroff)

### Middle East & India

Dubai, United Arab

Emirates

+971.4.378.1700

Bangalore, India

+91.80.6715.2001

Istanbul, Turkey

+90.216.250.7374

Chat with us:

[nvent.com/schroff](http://nvent.com/schroff)



Our powerful portfolio of brands:

**CADDY**

**ERICO**

**HOFFMAN**

**ILSCO**

**SCHROFF**

**TRACHTE**