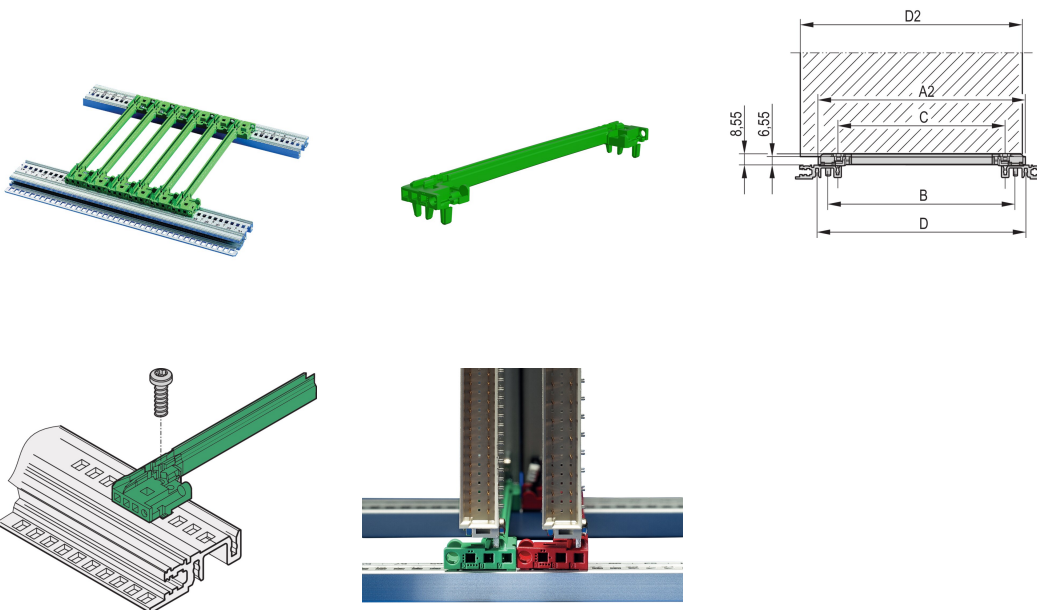


Guide Rail With Coding for CompactPCI/ VME64x, Offset 0.1", 160 mm, Green, SPQ 50

CATALOG NUMBER

64560-071



Plastic offset (0.1") guide rail with coding for CompactPCI and VME64x systems, forms a reliable interface between the subrack mechanics and the sub-assemblies. The optional keying/coding pegs preventing that boards being inserted into wrong slots. The guide rails can additionally be bolted to the horizontal rail or 1.5 mm thick plates for higher shock and vibration requirements. Guide rail can be optional equipped with a ESD clip, which ensures conductive contact between PCB, handle (IES, IEL) and horizontal rail. Suitable for RatiopacPRO/-AIR, PropacPRO, CompacPRO and EuropacPRO.

CERTIFICATIONS



FEATURES

Offset (0.1") guide rail with 2 mm groove width and coding for CompactPCI power supplies

Optional ESD clips for PCB groove and for alignment pin available

Optional keying/coding pegs to prevent boards being inserted into the wrong slot position

Guide rails can be clipped into horizontal rails (Al extrusion) or into 1.5 mm thick plates

Storage temperature: from -40 °C ... 130 °C

PRODUCT ATTRIBUTES

Product Type: Guide Rail

Product Family: EuropacPRO; RatiopacPRO; RatiopacPRO AIR; CompacPRO; PropacPRO; MultipacPRO; Inpac

Type: Coding, Offset

Works With: Subracks; Cases; Chassis

Material: Plastic

Color: Green

ADDITIONAL PRODUCT DETAILS

Delivery is in standard pack multiples. Pricing is per individual item.

Please take into consideration that deliveries may be carried out in the stated SPQs (SPQ, e.g. 5 pieces, 10 pieces, 50 pieces, etc.). Differing order quantities (e.g. 2 pieces) may be changed to the next possible delivery quantity = Standard Pack Quantity.

WARNING

nVent products shall be installed and used only as indicated in nVent's product instruction sheets and training materials. Instruction sheets are available at www.nvent.com and from your nVent customer service representative. Improper installation, misuse, misapplication or other failure to completely follow nVent's instructions and warnings may cause product malfunction, property damage, serious bodily injury and death and/or void your warranty.

North America

All locations
+1.763.422.2661
Chat with us:
nvent.com/schroff

Europe

Straubenhardt, Germany
+49.7082.794.0
Betschdorf, France
+33.3.88.90.64.90
Warsaw, Poland
+48.22.209.98.35
Assago, Italy
+39.02.932.7141
Chat with us:
nvent.com/schroff

Asia

Shanghai, China
+86.21.2412.6943
Qingdao, China
+86.532.8771.6101
Singapore
+65.6768.5800
Shin-Yokohama, Japan
+81.45.476.0271
Chat with us:
nvent.com/schroff

Middle East & India

Dubai, United Arab
Emirates
+971.4.378.1700
Bangalore, India
+91.80.6715.2001
Istanbul, Turkey
+90.216.250.7374
Chat with us:
nvent.com/schroff



Our powerful portfolio of brands:

CADDY ERICO HOFFMAN ILSCO SCHROFF TRACHTE