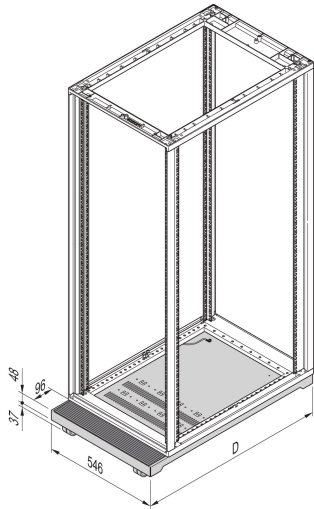


Novastar Mobile Plinth



Aluminum mobile base plinth with load capacity of 200 kg, for aluminum cabinets with 600 mm breadth.

CERTIFICATIONS



FEATURES

St, 2 mm

4 castors

Rubber mat, 3 mm

Load-carrying capacity 200 kg

Base/plinth height H = 100 mm

SPECIFICATIONS

Product Type: Cabinet/Rack Base

Material: Steel

Table 1/1

Catalog Number	Package Quantity	Color	Color Code	Finish	Type
----------------	------------------	-------	------------	--------	------

27230-146	1	Black Grey	RAL 7021	Powder Coated	Base Plinth
27230-148	1	Black Grey	RAL 7021	Powder Coated	Base Plinth
27230-147	1	Black Grey	RAL 7021	Powder Coated	Base Plinth

WARNING

nVent products shall be installed and used only as indicated in nVent's product instruction sheets and training materials. Instruction sheets are available at www.nvent.com and from your nVent customer service representative. Improper installation, misuse, misapplication or other failure to completely follow nVent's instructions and warnings may cause product malfunction, property damage, serious bodily injury and death and/or void your warranty.

North America

All locations
+1.763.422.2661
Chat with us:
nvent.com/schroff

Europe

Straubenhardt, Germany
+49.7082.794.0
Betschdorf, France
+33.3.88.90.64.90
Warsaw, Poland
+48.22.209.98.35
Assago, Italy
+39.02.932.7141
Chat with us:
nvent.com/schroff

Asia

Shanghai, China
+86.21.2412.6943
Qingdao, China
+86.532.8771.6101
Singapore
+65.6768.5800
Shin-Yokohama, Japan
+81.45.476.0271
Chat with us:
nvent.com/schroff

Middle East & India

Dubai, United Arab Emirates
+971.4.378.1700
Bangalore, India
+91.80.6715.2001
Istanbul, Turkey
+90.216.250.7374
Chat with us:
nvent.com/schroff



Our powerful portfolio of brands:

CADDY ERICO HOFFMAN ILSCO SCHROFF TRACHTE