

Plug-In Units Front Panel for Handle Form 1



Flat front panel. Enables the assembly of form 1 trapezoid form extraction handle. The front panel can be shielded with a textile gasket.

CERTIFICATIONS



FEATURES

Front panel, unshielded

Front panel, Al, 2.5 mm, front anodized, rear conductive

SPECIFICATIONS

- Material:** Aluminum
- Finish:** Anodized; Passivated
- Accessory Type:** Front panel
- Product Type:** Front Panel
- Type:** Front Panel with Handle (PIU)

Table 1/2

Catalog Number	Rack Height	Rack Width	Package Quantity	Handle Type	Mounting	Front Finish
30847-670	6U	8HP	1	Trapezoid, Type 1	Screw-on Front	Anodized
30847-660	3U	5HP	1	Trapezoid, Type 1	Screw-on Front	Anodized

Catalog Number	Rack Height	Rack Width	Package Quantity	Handle Type	Mounting	Front Finish
30847-667	6U	5HP	1	Trapezoid, Type 1	Screw-on Front	Anodized
30847-668	6U	6HP	1	Trapezoid, Type 1	Screw-on Front	Anodized
30847-666	6U	4HP	1	Trapezoid, Type 1	Screw-on Front	Anodized
30847-669	6U	7HP	1	Trapezoid, Type 1	Screw-on Front	Anodized
30847-665	3U	12HP	1	Trapezoid, Type 1	Screw-on Front	Anodized
30847-664	3U	10HP	1	Trapezoid, Type 1	Screw-on Front	Anodized
30847-671	6U	10HP	1	Trapezoid, Type 1	Screw-on Front	Anodized
30847-663	3U	8HP	1	Trapezoid, Type 1	Screw-on Front	Anodized
30847-672	6U	12HP	1	Trapezoid, Type 1	Screw-on Front	Anodized
30847-661	3U	6HP	1	Trapezoid, Type 1	Screw-on Front	Anodized
30847-659	3U	4HP	1	Trapezoid, Type 1	Screw-on Front	Anodized
30847-662	3U	7HP	1	Trapezoid, Type 1	Screw-on Front	Anodized

Table 2/2

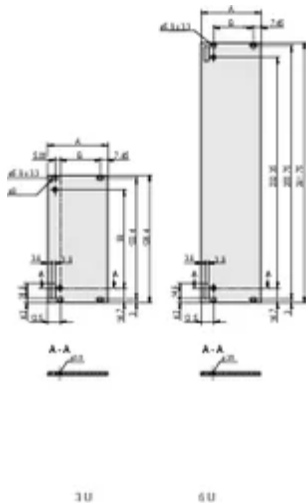
Catalog Number	Rear Finish	Treated Edges	Complies With	EMC Shielding
30847-670	Conductive	No	IEC 60297-3-101, IEEE 1101.1/11	No
30847-660	Conductive	No	IEC 60297-3-101, IEEE 1101.1/11	No
30847-667	Conductive	No	IEC 60297-3-101, IEEE 1101.1/11	No
30847-668	Conductive	No	IEC 60297-3-101, IEEE 1101.1/11	No
30847-666	Conductive	No	IEC 60297-3-101, IEEE 1101.1/11	No
30847-669	Conductive	No	IEC 60297-3-101, IEEE 1101.1/11	No
30847-665	Conductive	No	IEC 60297-3-101, IEEE 1101.1/11	No

Catalog Number	Rear Finish	Treated Edges	Complies With	EMC Shielding
30847-664	Conductive	No	IEC 60297-3-101, IEEE 1101.1/11	No
30847-671	Conductive	No	IEC 60297-3-101, IEEE 1101.1/11	No
30847-663	Conductive	No	IEC 60297-3-101, IEEE 1101.1/11	No
30847-672	Conductive	No	IEC 60297-3-101, IEEE 1101.1/11	No
30847-661	Conductive	No	IEC 60297-3-101, IEEE 1101.1/11	No
30847-659	Conductive	No	IEC 60297-3-101, IEEE 1101.1/11	No
30847-662	Conductive	No	IEC 60297-3-101, IEEE 1101.1/11	No

ADDITIONAL PRODUCT DETAILS

Please take into consideration that deliveries may be carried out in the stated SPQs (SPQ, e.g. 5 pieces, 10 pieces, 50 pieces, etc.). Differing order quantities (e.g. 2 pieces) may be changed to the next possible delivery quantity = Standard Pack Quantity.

DIAGRAMS



WARNING

nVent products shall be installed and used only as indicated in nVent's product instruction sheets and training materials. Instruction sheets are available at www.nvent.com and from your nVent customer service representative. Improper installation, misuse, misapplication or other failure to completely follow nVent's instructions and warnings may cause product malfunction, property damage, serious bodily injury and death and/or void your warranty.

North America

All locations
+1.763.422.2661
Chat with us:
nvent.com/schroff

Europe

Straubenhardt, Germany
+49.7082.794.0
Betschdorf, France
+33.3.88.90.64.90
Warsaw, Poland
+48.22.209.98.35
Assago, Italy
+39.02.932.7141
Chat with us:
nvent.com/schroff

Asia

Shanghai, China
+86.21.2412.6943
Qingdao, China
+86.532.8771.6101
Singapore
+65.6768.5800
Shin-Yokohama, Japan
+81.45.476.0271
Chat with us:
nvent.com/schroff

Middle East & India

Dubai, United Arab
Emirates
+971.4.378.1700
Bangalore, India
+91.80.6715.2001
Istanbul, Turkey
+90.216.250.7374
Chat with us:
nvent.com/schroff



Our powerful portfolio of brands:

CADDY ERICO HOFFMAN ILSCO SCHROFF TRACHTE