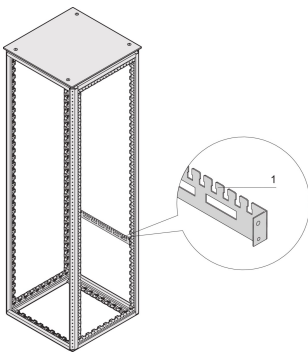


# Varistar CP Cable Support Rail for Cabinet Width



Varistar CP horizontal cable support rail in the cabinet width. Mounted directly at the frame.

## CERTIFICATIONS



## FEATURES

For cable shells (bottom row) and for cable ties, resp. Velcro (top row)

For cable ducting in rear area of cabinet

## SPECIFICATIONS

**Material:** Steel  
**Product Type:** Support Rail

Table 1/1

Catalog Number	Package Quantity	Color	Color Code	Finish	Type	Works With
21236-093	2	Black Grey	RAL 7021	Powder Coated	Cable Support, Rear Mount	Varistar CP
23130-312	2	Black Grey	RAL 7021	Powder Coated	Cable Support, Rear Mount	Varistar CP

## WARNING

---

nVent products shall be installed and used only as indicated in nVent's product instruction sheets and training materials. Instruction sheets are available at [www.nvent.com](http://www.nvent.com) and from your nVent customer service representative. Improper installation, misuse, misapplication or other failure to completely follow nVent's instructions and warnings may cause product malfunction, property damage, serious bodily injury and death and/or void your warranty.

### North America

All locations  
+1.763.422.2661  
Chat with us:  
[nvent.com/schroff](http://nvent.com/schroff)

### Europe

Straubenhardt, Germany  
+49.7082.794.0  
Betschdorf, France  
+33.3.88.90.64.90  
Warsaw, Poland  
+48.22.209.98.35  
Assago, Italy  
+39.02.932.7141  
Chat with us:  
[nvent.com/schroff](http://nvent.com/schroff)

### Asia

Shanghai, China  
+86.21.2412.6943  
Qingdao, China  
+86.532.8771.6101  
Singapore  
+65.6768.5800  
Shin-Yokohama, Japan  
+81.45.476.0271  
Chat with us:  
[nvent.com/schroff](http://nvent.com/schroff)

### Middle East & India

Dubai, United Arab Emirates  
+971.4.378.1700  
Bangalore, India  
+91.80.6715.2001  
Istanbul, Turkey  
+90.216.250.7374  
Chat with us:  
[nvent.com/schroff](http://nvent.com/schroff)



Our powerful portfolio of brands:

**CADDY ERICO HOFFMAN ILSCO SCHROFF TRACHTE**