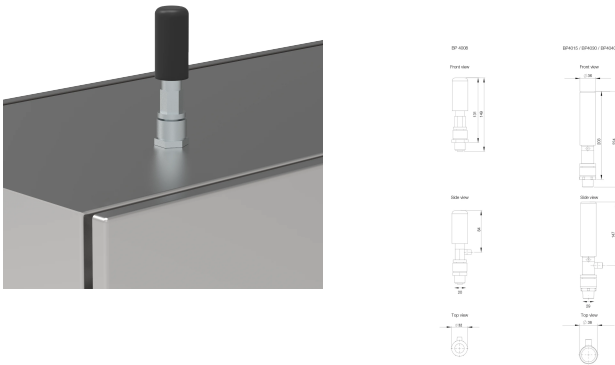


Vortex-jäähdytin, BP



This Vortex cooler, BP is easy to install, has no moving parts, and is maintenance free. In addition to cooling, it also reduces the relative humidity within the enclosure it is mounted on. This Vortex cooler is an ideal solution to prevent overheating within the enclosure.

FEATURES

Description: Compact, reliable and low cost way to cool and purge enclosures. It produces cold air from compressed air, with no moving parts. The easy mounting through a standard electrical knockout makes this solution especially suitable to be installed even when the enclosures are already in the field. For a continuous Vortex operating, relative humidity inside the enclosure is maintained below 45%, no moisture condenses inside the enclosure (the enclosure must be sealed). Most TYPE 4 and 4X units include a silencer to minimize the noise. The coolers must be installed vertically to maintain the protection degree.

Material: Internal Vortex tube manufactured in stainless steel. External cover, BP TYPE 12 in plastic and aluminium, BP TYPE 4 in aluminium, and 4X in stainless steel.

Protection: Depending on type, up to IP66 | TYPE 4X.

Pack quantity: Vortex cooler with mounting accessories.

This reliable solution reduces the customer's labour cost due to the ease of installation

It is recommended to install a thermostat, BPT, as well as an air distribution kit, BPA

Pack quantity: Vortex cooler with mounting accessories

SPECIFICATIONS

Finish: Brushed

Table 1/1

Catalog Number	Height	Width	Depth	Material	Nominal Capacity Watts	Protection Rating
BP4615SS	185mm	63mm	63mm	Stainless Steel	293W	IP66, NEMA Type 4X
BP4030	203mm	38mm	52mm	Stainless Steel	586W	IP54, NEMA Type 12
BP4040	203mm	38mm	52mm	Stainless Steel	820W	IP54, NEMA Type 12
BP4015	203mm	38mm	52mm	Stainless Steel	293W	IP54, NEMA Type 12
BP4615	185mm	63mm	63mm	Stainless Steel	293W	IP66, NEMA Type 4
BP4630	185mm	44mm	44mm	Stainless Steel	586W	IP66, NEMA Type 4
BP4630SS	185mm	63mm	63mm	Stainless Steel	586W	IP66, NEMA Type 4X
BP4640SS	185mm	63mm	63mm	Stainless Steel	820W	IP66, NEMA Type 4X
BP4640	185mm	63mm	63mm	Stainless Steel	820W	IP66, NEMA Type 4
BP4608	126mm	44mm	44mm	Stainless Steel	162W	IP66, NEMA Type 4
BP4608SS	126mm	63mm	63mm	Stainless Steel	162W	IP66, NEMA Type 4X
BP4008	131mm	32mm	38mm	Stainless Steel	162W	IP54, NEMA Type 12

ADDITIONAL PRODUCT DETAILS

Cooling capacity is calculated with pressured air being 20 °C and having 7-bar pressure.

Silencer is not included with items BP4008, BP4015, BP4030, BP4040 BP4608, BP4608SS.

Low pressure relief valve is not included with item BP4008, BP4015, BP4030, BP4040.

WARNING

nVent products shall be installed and used only as indicated in nVent's product instruction sheets and training materials. Instruction sheets are available at www.nvent.com and from your nVent customer service representative. Improper installation, misuse, misapplication or other failure to completely follow nVent's instructions and warnings may cause product malfunction, property damage, serious bodily injury and death and/or void your warranty.



Our powerful portfolio of brands:

CADDY ERICO HOFFMAN ILSCO SCHROFF TRACHTE