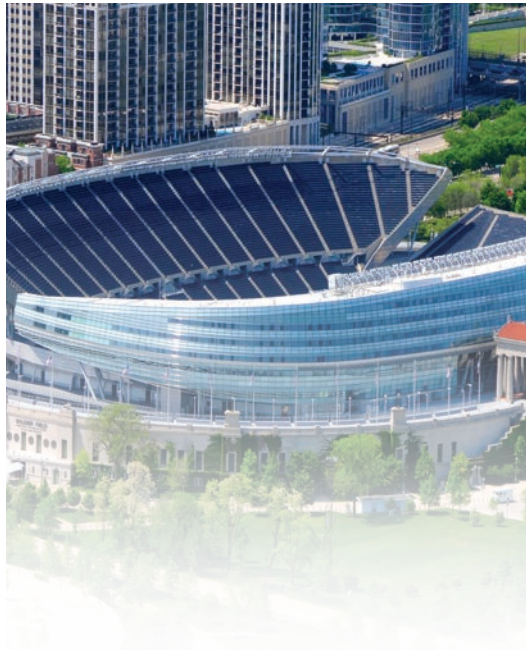


nVent LENTON Form Saver

And other reinforcing bar assemblies



Form Saver Benefits

Form Saver splices out perform dowel bars because of their ability to develop strength requirements independent of concrete cover. Their ease of installation, consistent performance, and durability add value and integrity to your structure.

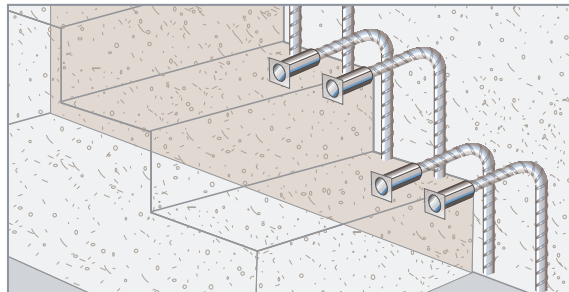
Form Saver is recognized by or meets the standards of:

- AASHTO®
- ACI 318 Type 1 and Type 2
- IAPMO-UES Report 0129
- IBC® Type 1 and Type 2
- Ontario MTO
- U.S. Army Corp of Engineers

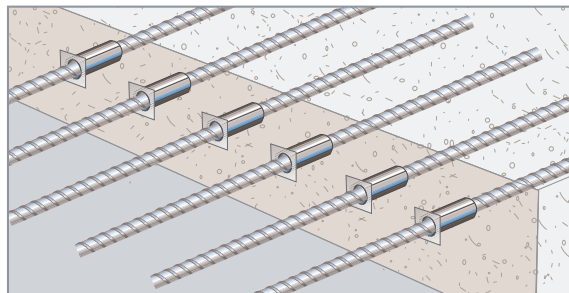
Form Saver Applications

FORM SAVERS ARE IDEAL FOR:

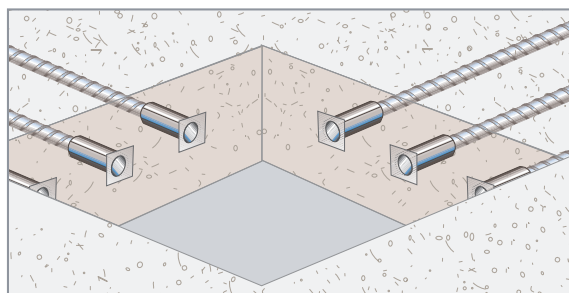
- Slip and jump forming
- Segmental pours
- Stairwell applications
- Equipment hatch openings
- Tower crane openings
- Slabs
- Bridge decks
- Future extension



Stairwells



Highway/Bridge Slabs



**Equipment and
Crane Openings**

Dowel Bar vs. Form Saver

Dowel bars, the reinforcing steel that protrudes through formwork, have been the traditional method for joining bars in segmental construction. Contractors and construction product suppliers have discovered that dowel bar substitutes improve their schedules and bottom line by eliminating costly form cleaning and repair.

PROTRUDING DOWEL BARS

- Prevent slip forming
- Create safety hazards
- Make form removal difficult and time consuming
- Damage costly formwork
- Can be broken or bent



Exposed dowels on the job site are a hazard. In addition, they can be bent or damaged.



Drilling forms for dowels is expensive, and form removal is difficult and time consuming.

FORM SAVER

Provides Quality, Speed, Value and Efficiency

Form Saver efficiently addresses the challenge of joining reinforcing steel bar (rebar) in segmental construction while protecting valuable forms from damage, and providing for enhanced structural integrity.

- Allows for easier slip, gang and jump forming
- Provides greater structural integrity
- Eliminates the on-site safety hazard of protruding dowel bars
- Eliminates drilling of expensive formwork
- Protects valuable forms by allowing stripping, cleaning and recycling of forms in less time
- Includes durable mounting plates for easy attachment to forms, which reduces installation time
- Maintains reinforcing bar continuity independent of concrete cover
- Exceeds ACI®318 Type 1 (125% of specified yield) and Type 2 (specified ultimate) splice requirements and other international building-code requirements

Before Concrete Pour

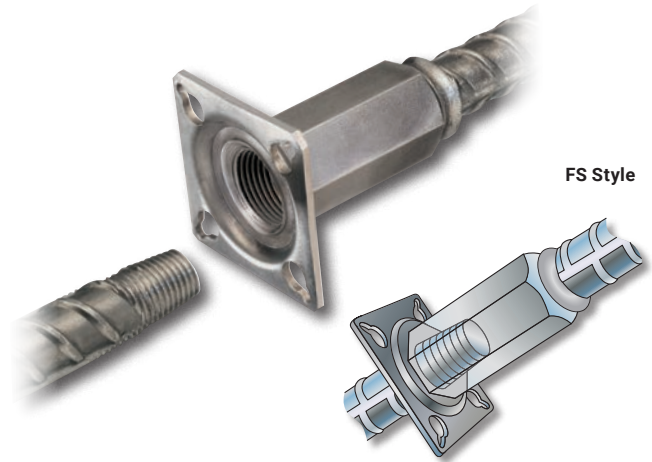


Instead of drilling, simply nail the Form Saver onto the form.

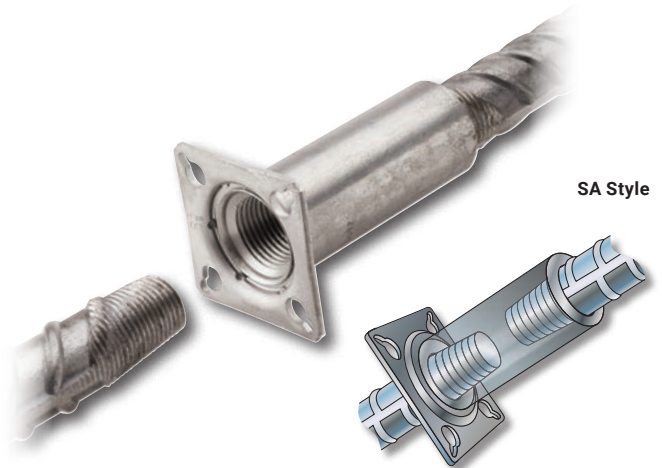
Form Saver

Form Saver dowel bar assemblies provide continuity and structural integrity to reinforced concrete construction in segmental pour applications. The Form Saver is designed with our unique nVent LENTON tapered thread, factory installed thread protectors, and durable mounting plates for easy attachment to forms. The taper threaded design, like the complete family of nVent LENTON couplers, provides load path continuity in tension, compression and stress reversal applications.

Form Saver Assemblies are available in two styles. Both styles perform equally, are available in multiple configurations and lengths, and are recognized on IAPMO-UES Report 0129. nVent LENTON mechanical splices provide superior performance well beyond the yield strength of the reinforcing bar.



FS Style



SA Style

The Form Saver is manufactured with the proprietary nVent LENTON taper thread:

- Positive lock, no-slip connection provides strength, consistency and reliability
- Eliminates cross-threading problems and job-site delays
- Requires 4-½ turns for complete installation
- Manufactured using an ISO® registered quality system
- nVent LENTON taper threads allow for a self-aligning connection

Internal threads of the coupler are protected by a metal disc or plastic plug pressed into the nail plate. After the forms are stripped, this disc can be removed exposing the contamination-free internal threads.*

The Form Saver nail plate is made of a heavy gauge steel.

Keyed holes allow you to first drive a nail into your form to hang the assembly. Remaining nails may then be driven providing quick and easy installation.

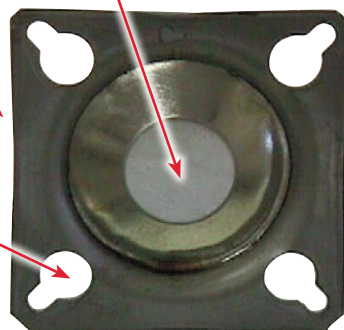


Made to order clipped flange or double clipped flange couplers are available (epoxy shown) for concrete cover concerns (sizes #4-7).

Form Saver is also available in stock with an epoxy finish.

Epoxy Finish Standard:
ASTM® A775/A775M and AASHTO M284

Nail Plate Dimensions:	
#4 - #8	2-¼" x 2-¼"
#9 - #11	2-½" x 2-½"



*For "long-term" protection, use nVent LENTON plastic taper threaded plugs.

Form Saver Assemblies

Form Saver Assemblies are available in two styles. Both styles perform equally, are available in multiple configurations and lengths, and are recognized on IAPMO-UES Report 0129.

FS STYLE

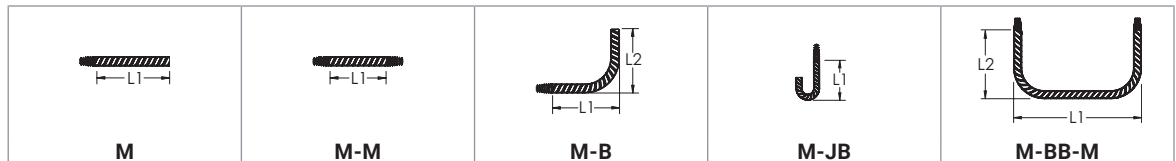
The Form Saver coupler is friction forged to the reinforcing bar on one end and attached with a nVent LENTON tapered threaded bar on the other. FS Style assemblies are available in sizes #4 - #7 (12 mm - 22 mm).

SA STYLE

The Form Saver coupler is taper threaded on both ends and attached with two nVent LENTON taper threaded bars. SA Style assemblies are available in sizes #4 - #11 (12 mm - 36 mm).

Form Saver and other Reinforcing Bar (Rebar) Assemblies are available nationwide through our network of remote manufacturing centers, in order to provide prompt delivery. See the Form Saver Map (on the next page) or contact nVent for the style(s) available nearest you.

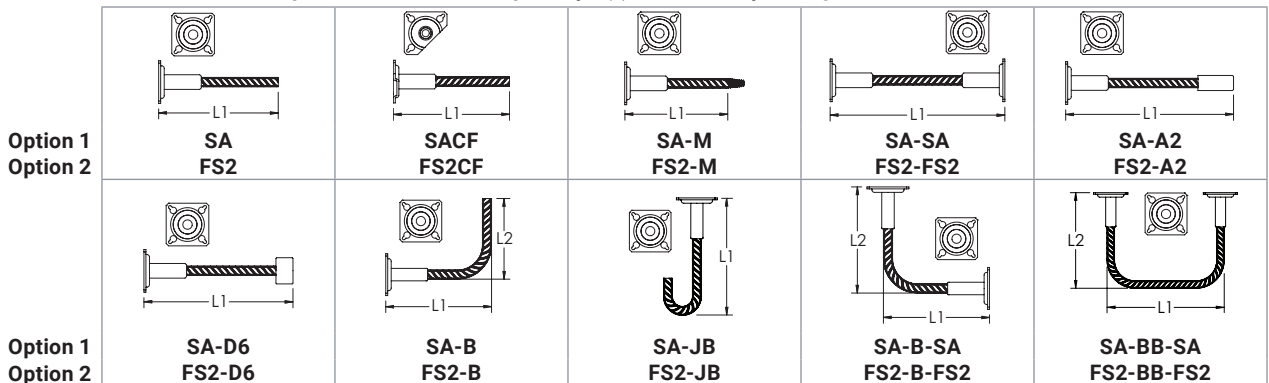
Male Bars



*Care should be taken when using bent male bars. The nVent LENTON taper bar should NOT be loosened to align the bar. Contact nVent if clarification is needed. Also, nVent LENTON Terminator may be used to replace bent or hooked bars.

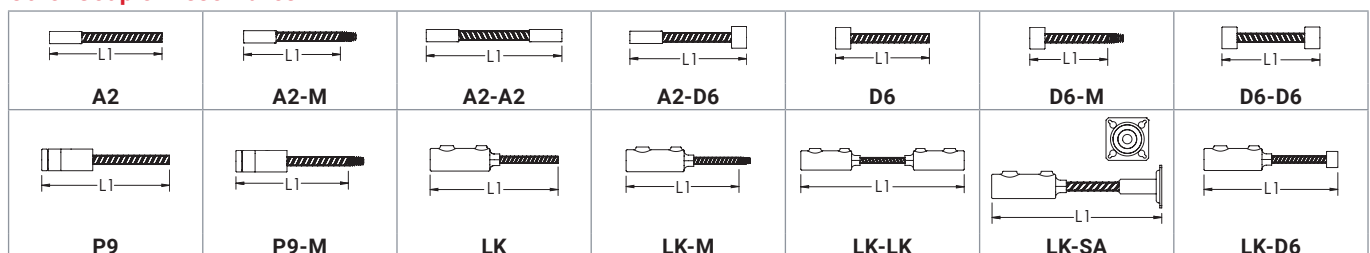
Form Savers

See Form Saver Map to determine the coupler style(s) available in your region



SA Style couplers are also sold separately.

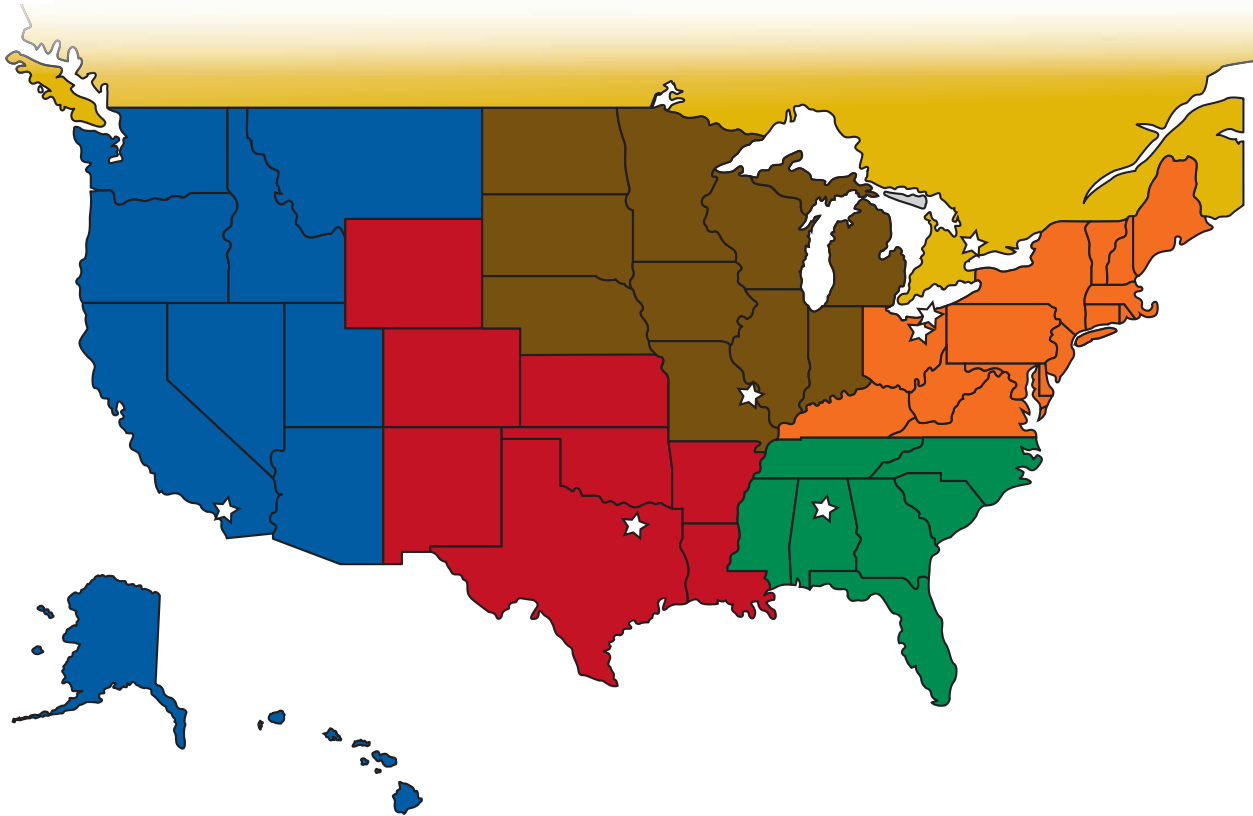
Other Coupler Assemblies



- Contact local manufacturing center for minimum bend length.

Form Saver Dowel Bar Systems Manufacturing Centers

Please contact the nVent LENTON Regional Manufacturing Center in your area.



nVent

34600 Solon Rd.
Solon, OH 44139 USA
phone: 1-800.248.2677
email: LENTON-OrderSupport
West@nVent.com
LENTON-OrderSupport
East@nvent.com
Styles: SA, M

CMC Coatings of Texas

901 Cantrell Rd.
Waxahachie, TX 75165
phone: 972.937.9841
fax: 972.937.3995
Styles: SA, FS2, M

Summit Engineered Products

516 Elm Ridge Ave. N. E.
Canal Fulton, OH 44614
phone: 330.854.5388
fax: 330.854.5451
Styles: SA, FS2, M

FCS

6880 N Broadway
St Louis, MO 63147
phone: 888.385.5577
fax: 314.385.5941
Styles: SA, FS2, M

nVent

34600 Solon Rd.
Solon, OH 44139 USA
phone: 1-800.248.2677
Styles: SA, FS2, M

White Cap Canada

172 Bethridge Rd.
Toronto, Ontario M9W1N3
phone: 416.245.4720
fax: 416.242.2727
Styles: SA, M

Cover images all contain Form Saver:

1	2
3	4
5	6

- 1 William Preston Lane Jr. Memorial Bridge, Chesapeake Bay, Maryland
- 2 One World Trade Center (Freedom Tower), New York City, New York
- 3 San Francisco – Oakland Bay Bridge, Eastern Span, San Francisco, California
- 4 Soldier Field, Chicago, Illinois
- 5 Mike O'Callaghan – Pat Tillman Memorial Bridge (Hoover Dam Bypass), Colorado River, Arizona / Nevada border
- 6 Bellagio, Las Vegas, Nevada

Form Saver and Other Rebar Assemblies

Regional Manufacturing Center Form

nVent • 34600 Solon Road • Solon, Ohio 44139 • Phone: 800.248.2677

Date _____

PLEASE CHECK: ORDER RFQ

Page ____ of ____

Company Name _____
 City, State, Zip _____
 Contact Name _____
 Phone # _____
 Fax # _____
 Project Name _____

SHIP TO:

Company Name _____
 Address _____
 City, State, Zip _____
 Contact Name _____
 Jobsite Phone # _____
 Est. Date Required _____

Most Common Types

See page 5 for full list of assemblies

All types threaded

Threaded Type (SA)
Friction Forged Type (FS2)**

M	M-M	M-B	D6	D6-M	D6-D6
SA FS2	SA-SA FS2-FS2	SA-D6 FS2-D6	SA-B FS2-B	SA-JB FS2-JB	SA-BB-SA FS2-BB-FS2

*Care should be taken when using bent male bars. The nVent LENTON taper bar should NOT be loosened to align the bar. Contact nVent if clarification is needed. Also, Terminator may be used to replace bent or hooked bars.

**See Form Saver Map on page 6 to determine type available in your region.

Line	Quantity	Assembly Type	Bar Size	Epoxy or Black (E or B)	Bar Type and Grade	L1 Feet-Inches	L2 Feet-Inches	Description (if needed)	Each Weight (lb)	Each Price (\$)	Total Price (\$)
Ex	10	SA-B	#4	B	A615 gr. 60	2'-4"	3'-6"	Bent SA Assy			
1											
2											
3											
4											
5											
6											
7											
8											
9											
10											
11											
12											
13											
14											
15											

Unique bend configurations available.

Terms and Conditions

Prices quoted are valid for 30 days for purchase orders accepted by nVent and invoiced or shipped within 60 days. Due to volatility of raw material costs and availability, for orders placed beyond 60 days, we reserve the right to adjust price (up to 10%), quantity or shipping dates of your order. Final prices will be determined at the time nVent accepts a PO.

Subtotal	
Freight	
Charge to Expedite Order	
Total	
FOB	

*** Sales tax not included ***

Best Regards,

The Regional Manufacturing Center is a contracted manufacturing center for nVent, Solon, OH.



North America

Tel +1.800.248.2677

LENTON-OrderSupportEast@nVent.com

LENTON-OrderSupportWest@nVent.com

Europe

Tel +311.35835100

lentonspecialistemea@nVent.com

Middle East

Tel +971.506.255.903

Africa

Tel +31.13.5385.440

Asia Pacific

Tel +61.2.9751.8500

Latin America

Tel +55.3686-9785

LA-cotizaciones@nVent.com

Australia

Tel +61.2.9751.8500

ausorders@nVent.com



Our powerful portfolio of brands:

CADDY

ERICO

HOFFMAN

ILSCO

SCHROFF

TRACHTE