

Universal Structural Bracket

Data Solutions



This code-compliant Structural Attachment is part of the nVent CADDY line of innovative rigid bracing system, designed to provide superior performance and meet the highest seismic load requirements. Its versatile design allows quick and easy installation directly to concrete, wood, bar joist or I-beam adapters and is compatible with 1" through 2" brace pipes. Its snap-off bolt makes inspection of seismic sway braces simple.

CERTIFICATIONS



CARACTERÍSTICAS

Universal design allows one product to attach directly to concrete, wood, bar joist or I-beam adapters

Integrated angle gauge easily displays brace member angle of installation

Snap-off bolt head helps enable easy installation and inspection of seismic sway braces

Works with 1" through 2" (25,4mm through 50,8mm) brace pipes to reduce inventory

Low profile minimizes prying effect on concrete fasteners

Meets NFPA® 13 as pre-qualified for seismic applications

FM Approved with the following brace members: Type A Solid Strut (12 gauge or thicker) and 1-2 in Sch40/EN 10255H Pipe

FM Specification Tested with the following brace members: Type A Solid Strut (12 gauge or thicker), 1-2 in Sch40/EN 10255H Pipe, 1 in EMT Conduit, and 1 in Rigid Conduit

ESPECIFICAÇÕES

Acabamento: Electro galvanizado

Material: Aço

Table 1/2

Número de catálogo	Número do artigo	Tamanho do orifício (HS)	Largura (W)	Espessura (T)	A	B
CSBU2	404501	21mm	49mm	5mm	52mm	33mm
CSBU1	404500	14.3mm	49mm	5mm	52mm	33mm
CSBU58	404404	17mm	49mm	5mm	52mm	33mm

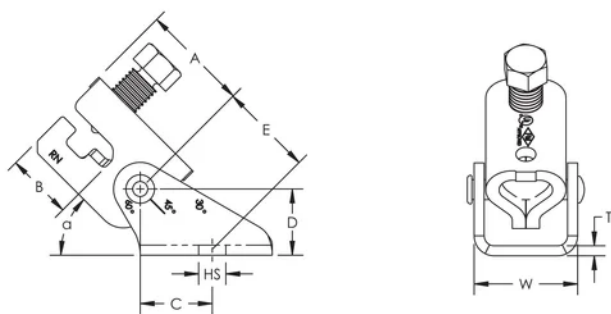
Table 2/2

Número de catálogo	Número do artigo	C	D	E	UL Listed Load	Certifications
CSBU2	404501	35mm	32mm	44mm	8896N	UL, FM Approved, Seismic, AON Fire Protection, Seismic Bracing Components, OSHPD/HCAI, cUL
CSBU1	404500	35mm	32mm	44mm	8896N	cUL, AON Fire Protection, Seismic Bracing Components, FM Approved, Seismic, UL, OSHPD/HCAI
CSBU58	404404	35mm	32mm	44mm	8896N	FM Approved, Seismic, AON Fire Protection, Seismic Bracing Components

FM Loads

Part Number	Horizontal Capacity per Installation Angle from Vertical			
	30°- 44°	45°- 59°	60°- 74°	75°- 90°
CSBU1xxx	7510 N	9830 N	11830 N	13740 N
CSBU2xxx	6580 N	10180 N	12720 N	13740 N
CSBU58xxx	6580 N	9830 N	11830 N	13740 N

DIAGRAMAS



AVISO

Os produtos nVent devem ser instalados e utilizados apenas conforme indicado nas fichas de instrução do produto e materiais de treinamento da nVent. As fichas de instrução estão disponíveis em www.nVent.com e com nossos representantes de atendimento ao cliente nVent. A instalação inadequada, uso incorreto, aplicação incorreta ou outra falha qualquer em seguir completamente as instruções e avisos da nVent podem levar ao mau funcionamento do produto, danos à propriedade, lesões corporais graves e morte, e/ou anular sua garantia.



O nosso forte portefólio de marcas:

CADDY ERICO HOFFMAN ILSCO SCHROFF TRACHTE