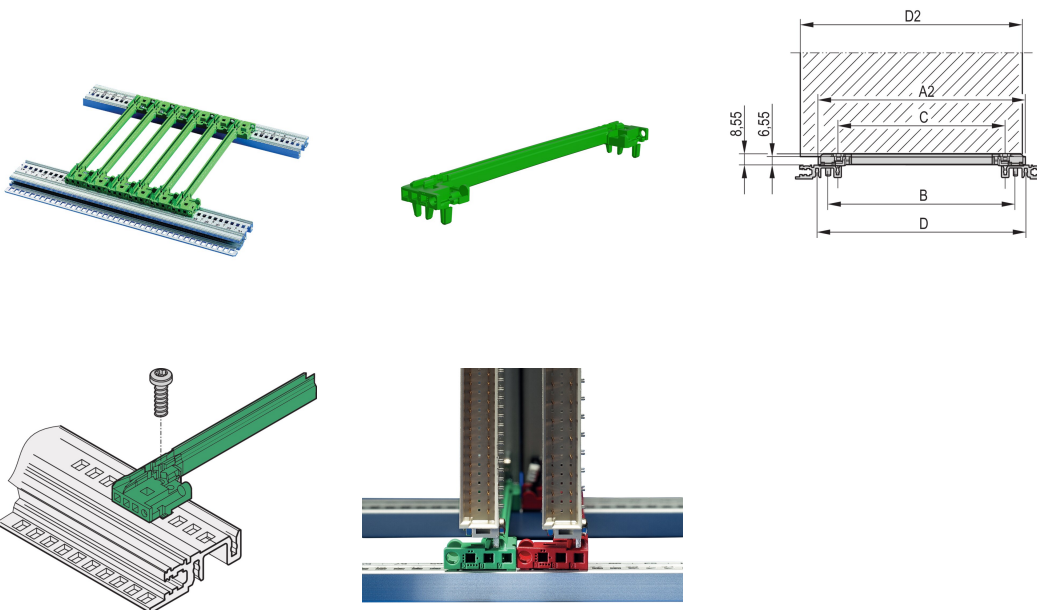


# Guide Rail With Coding for CompactPCI/ VME64x, Offset 0.1", 160 mm, Green, SPQ 50

## NÚMERO DE CATÁLOGO

**64560-071**



Plastic offset (0.1") guide rail with coding for CompactPCI and VME64x systems, forms a reliable interface between the subrack mechanics and the sub-assemblies. The optional keying/coding pegs preventing that boards being inserted into wrong slots. The guide rails can additionally be bolted to the horizontal rail or 1.5 mm thick plates for higher shock and vibration requirements. Guide rail can be optional equipped with a ESD clip, which ensures conductive contact between PCB, handle (IES, IEL) and horizontal rail. Suitable for RatiopacPRO/-AIR, PropacPRO, CompacPRO and EuropacPRO.

## CERTIFICATIONS



## CARACTERISTICAS

Offset (0.1") guide rail with 2 mm groove width and coding for CompactPCI power supplies

Optional ESD clips for PCB groove and for alignment pin available

Optional keying/coding pegs to prevent boards being inserted into the wrong slot position

Guide rails can be clipped into horizontal rails (Al extrusion) or into 1.5 mm thick plates

Storage temperature: from -40 °C ... 130 °C

## CARACTERÍSTICAS DO PRODUTO

Product Type: Guide Rail

Família de produtos: EuropacPRO; RatiopacPRO; RatiopacPRO AIR; CompacPRO; PropacPRO; MultipacPRO; Inpac

Tipo: Coding, Offset

Works With: Subracks; Cases; Chassis

Groove Width: 2

Material: Pástico

Cor: Green

## DETALHES ADICIONAIS DO PRODUTO

Delivery is in standard pack multiples. Pricing is per individual item.

Please take into consideration that deliveries may be carried out in the stated SPQs (SPQ, e.g. 5 pieces, 10 pieces, 50 pieces, etc.). Differing order quantities (e.g. 2 pieces) may be changed to the next possible delivery quantity = Standard Pack Quantity.

## AVISO

Os produtos nVent devem ser instalados e utilizados apenas conforme indicado nas fichas de instrução do produto e materiais de treinamento da nVent. As fichas de instrução estão disponíveis em [www.nVent.com](http://www.nVent.com) e com nossos representantes de atendimento ao cliente nVent. A instalação inadequada, uso incorreto, aplicação incorreta ou outra falha qualquer em seguir completamente as instruções e avisos da nVent podem levar ao mau funcionamento do produto, danos à propriedade, lesões corporais graves e morte, e/ou anular sua garantia.

### North America

All locations  
+1.763.422.2661  
Chat with us:  
[nvent.com/schroff](http://nvent.com/schroff)

### Europe

Straubenhardt, Germany  
+49.7082.794.0  
Betschdorf, France  
+33.3.88.90.64.90  
Warsaw, Poland  
+48.22.209.98.35  
Assago, Italy  
+39.02.932.7141  
Chat with us:  
[nvent.com/schroff](http://nvent.com/schroff)

### Asia

Shanghai, China  
+86.21.2412.6943  
Qingdao, China  
+86.532.8771.6101  
Singapore  
+65.6768.5800  
Shin-Yokohama, Japan  
+81.45.476.0271  
Chat with us:  
[nvent.com/schroff](http://nvent.com/schroff)

### Middle East & India

Dubai, United Arab  
Emirates  
+971.4.378.1700  
Bangalore, India  
+91.80.6715.2001  
Istanbul, Turkey  
+90.216.250.7374  
Chat with us:  
[nvent.com/schroff](http://nvent.com/schroff)



O nosso forte portefólio de marcas:

**CADDY ERICO HOFFMAN ILSCO SCHROFF TRACHTE**