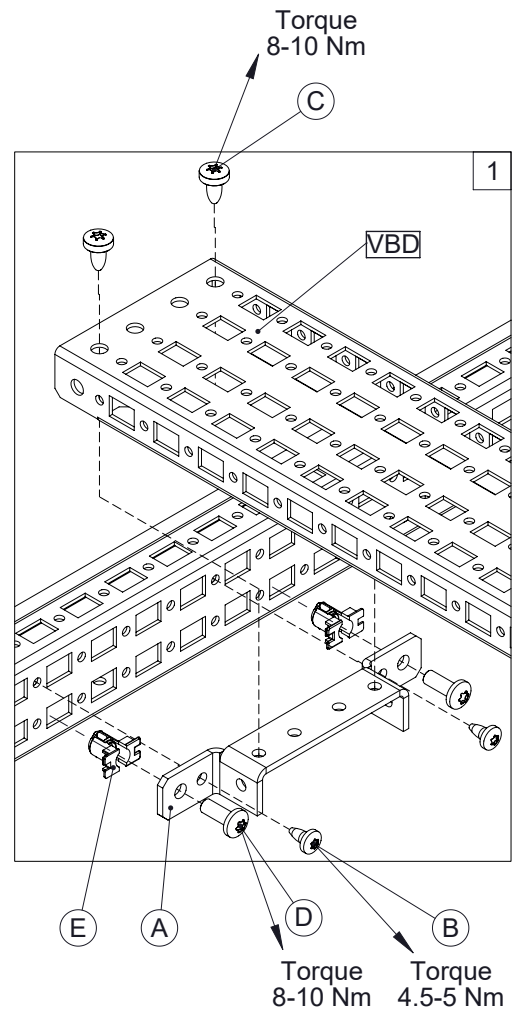
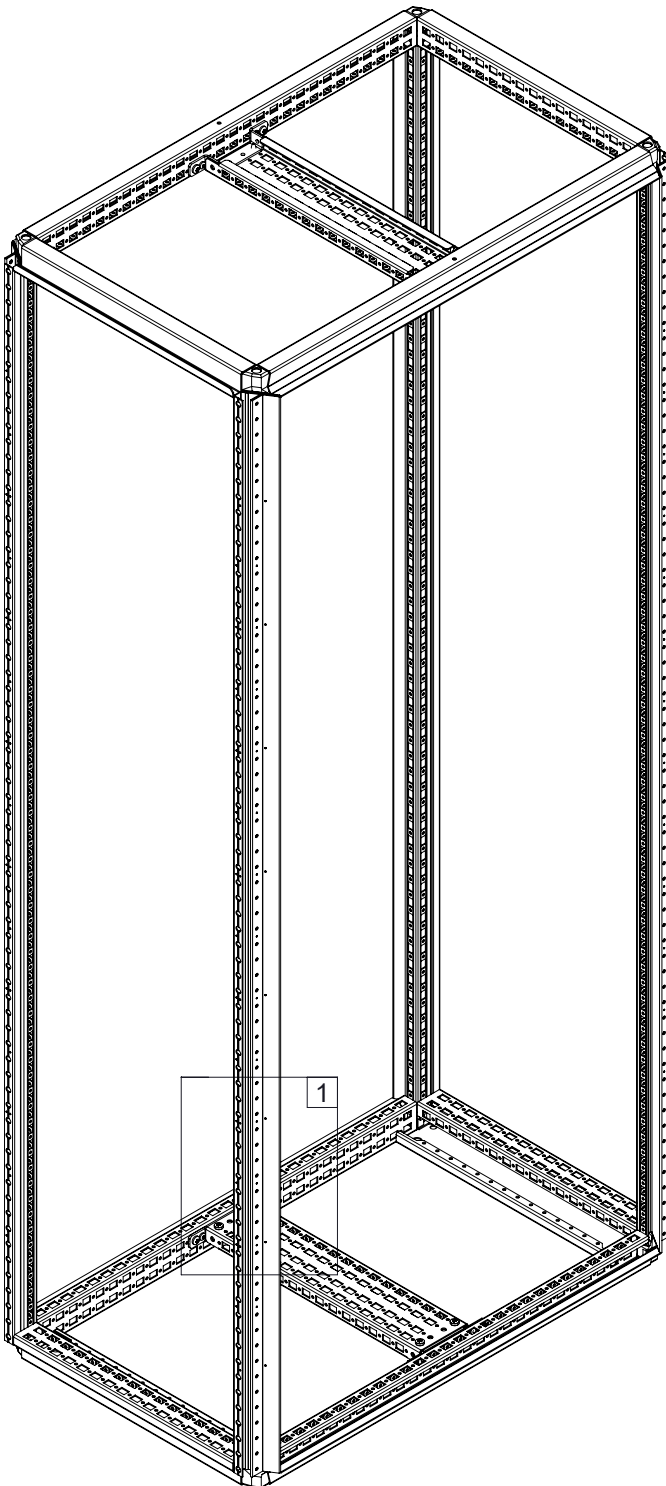


# VBK04



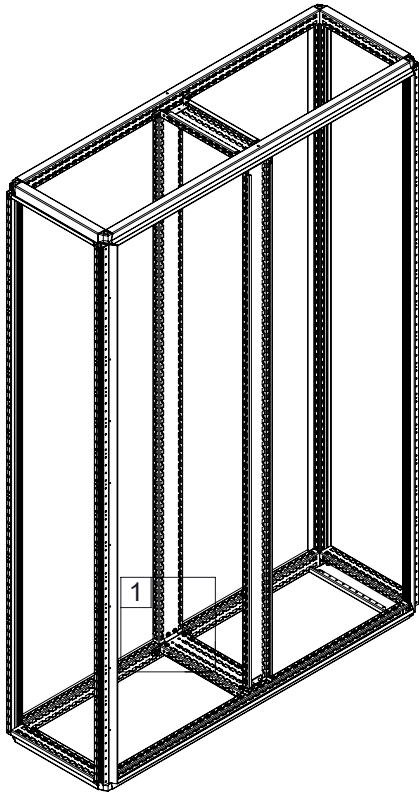
Ref.	Pic.	Qty.
A		4
B	M5x10	8
C	M6x12	8
D	M6x16	8
E	M6	8



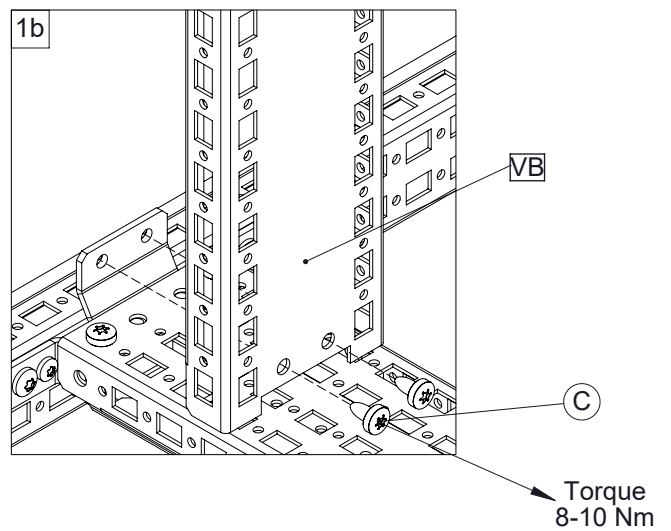
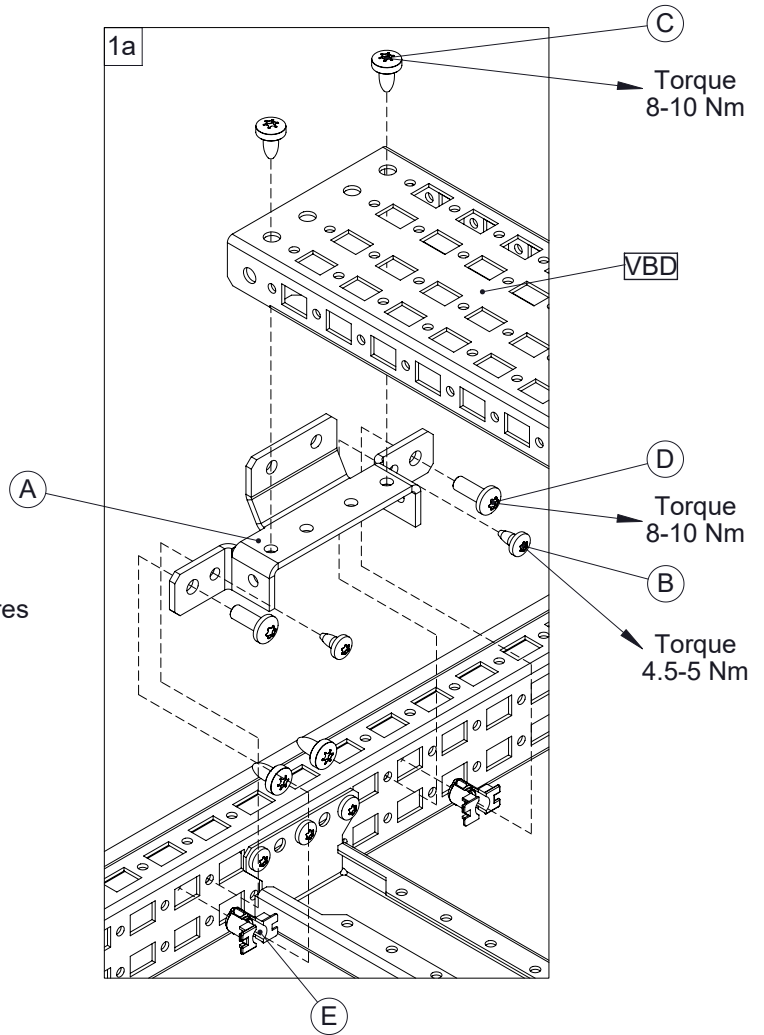
# VBK1200



Ref.	Pic.	Qty.
A		4
B	M5x10	8
C	M6x12	16
D	M6x16	8
E	M6	8
F	ALIS503	1
G	M6x12	1



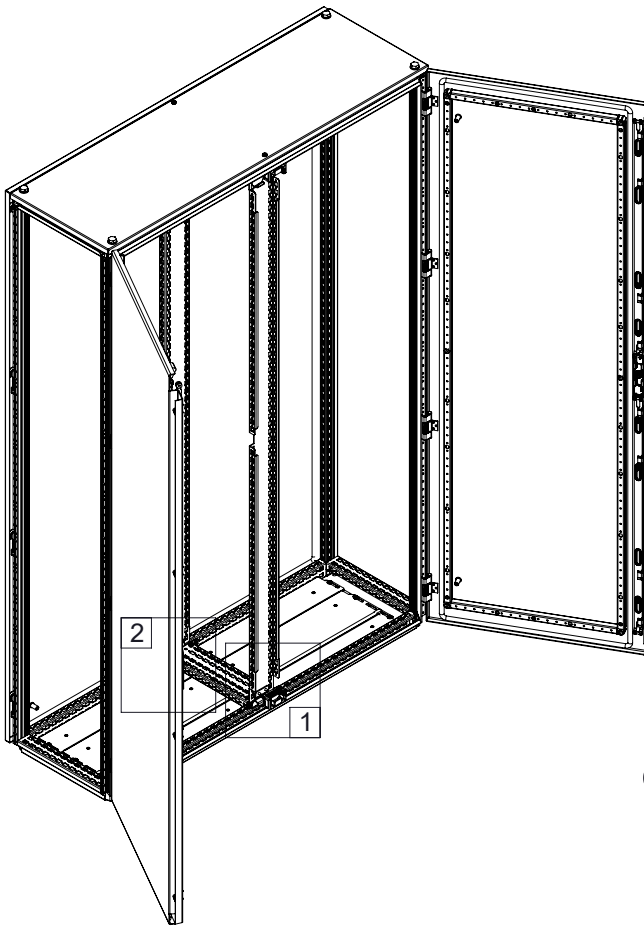
The items F and G will used only for double doors enclosures middle fixation



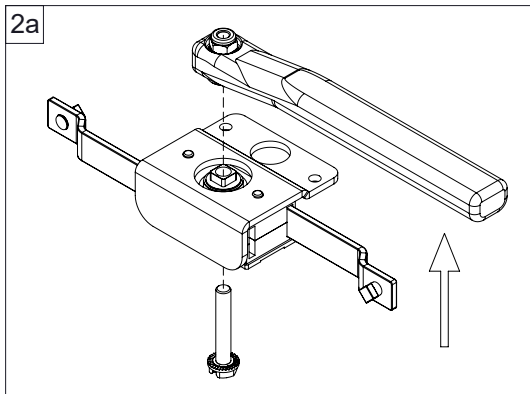


# VBK1200 Double doors

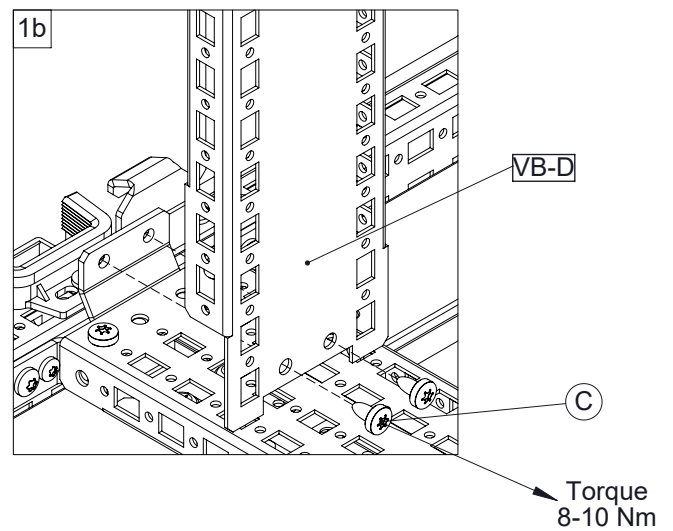
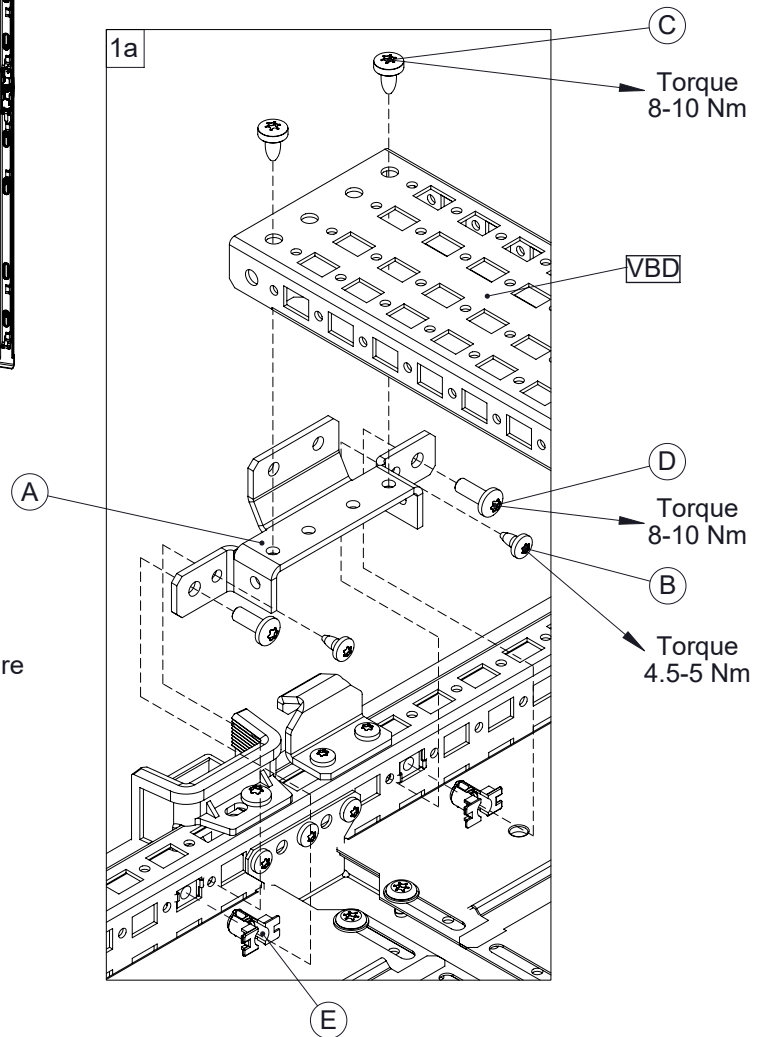
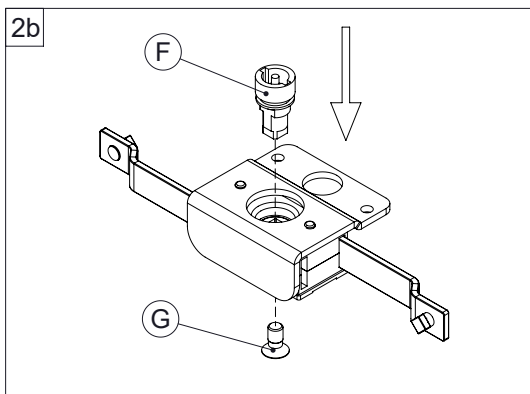
Ref.	Pic.	Qty.
A		4
B	M5x10	8
C	M6x12	16
D	M6x16	8
E	M6	8
F	ALIS503	1
G	M6x12	1



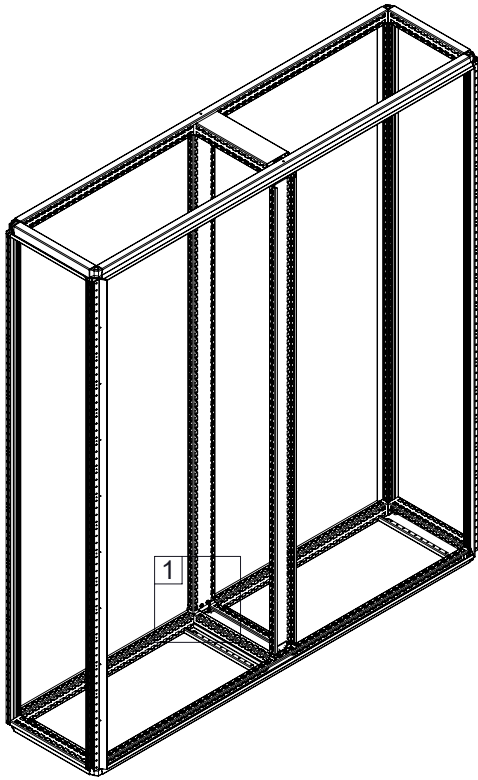
Mounting VB profile in the middle of double doors enclosure



Replace the LSEL handle with ALIS503 insert

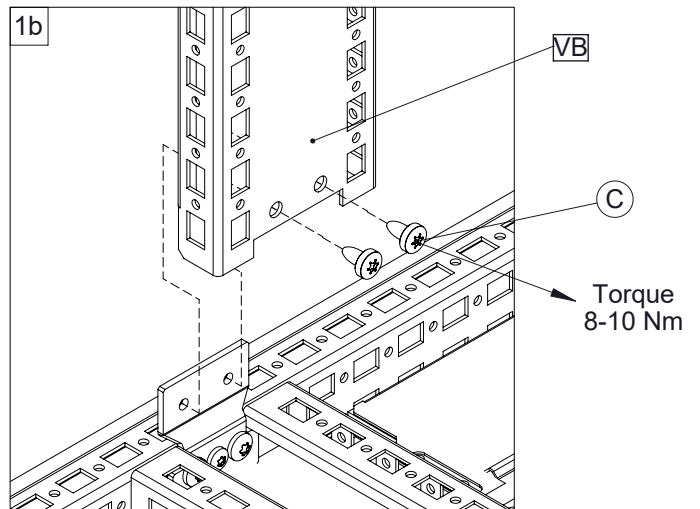
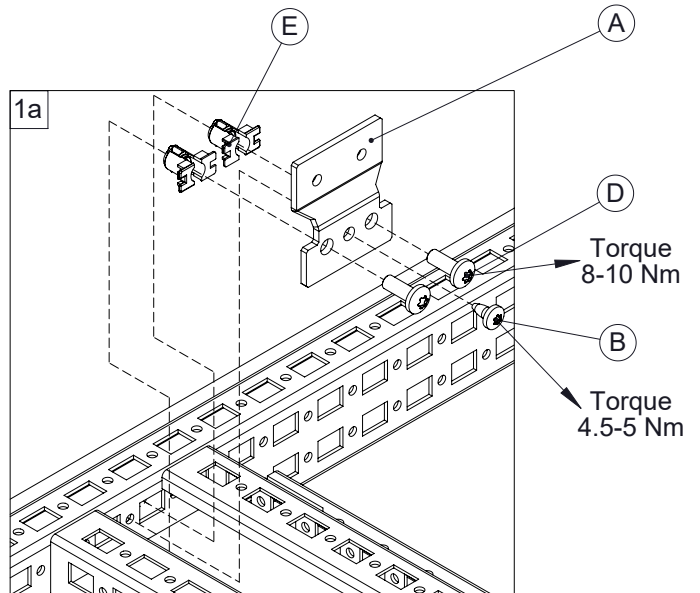


# VBK1600



Ref.	Pic.	Qty.
A		4
B	M5x10	4
C	M6x12	8
D	M6x16	8
E	M6	8
F	ALIS503	1
G	M6x12	1

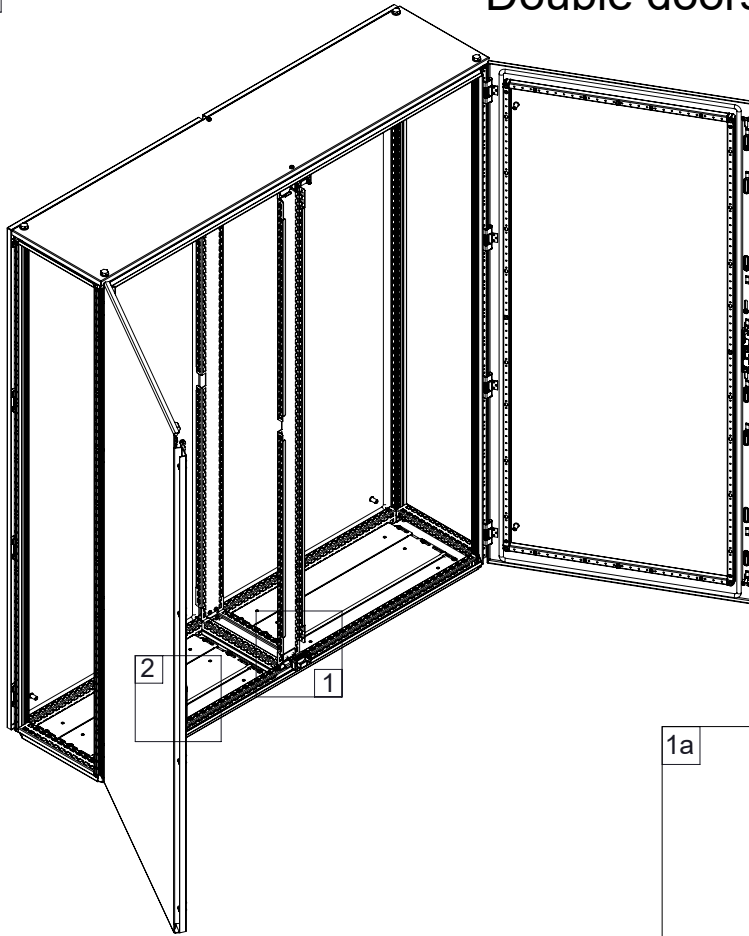
The items F and G will used only for double doors enclosures middle fixation



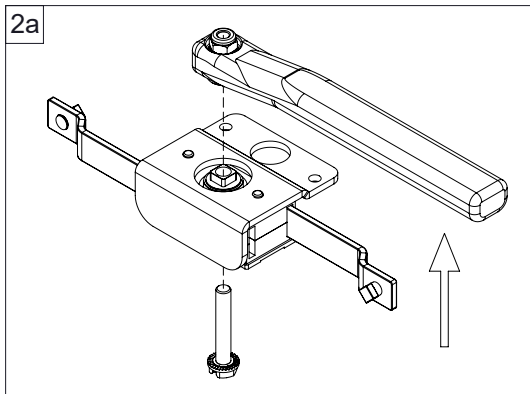


# VBK1600 Double doors

Ref.	Pic.	Qty.
A		4
B	M5x10	4
C	M6x12	8
D	M6x16	8
E	M6	8
F	ALIS503	1
G	M6x12	1



Mounting VB profile in the middle of double doors enclosure



Replace the LSEL handle with ALIS503 insert

