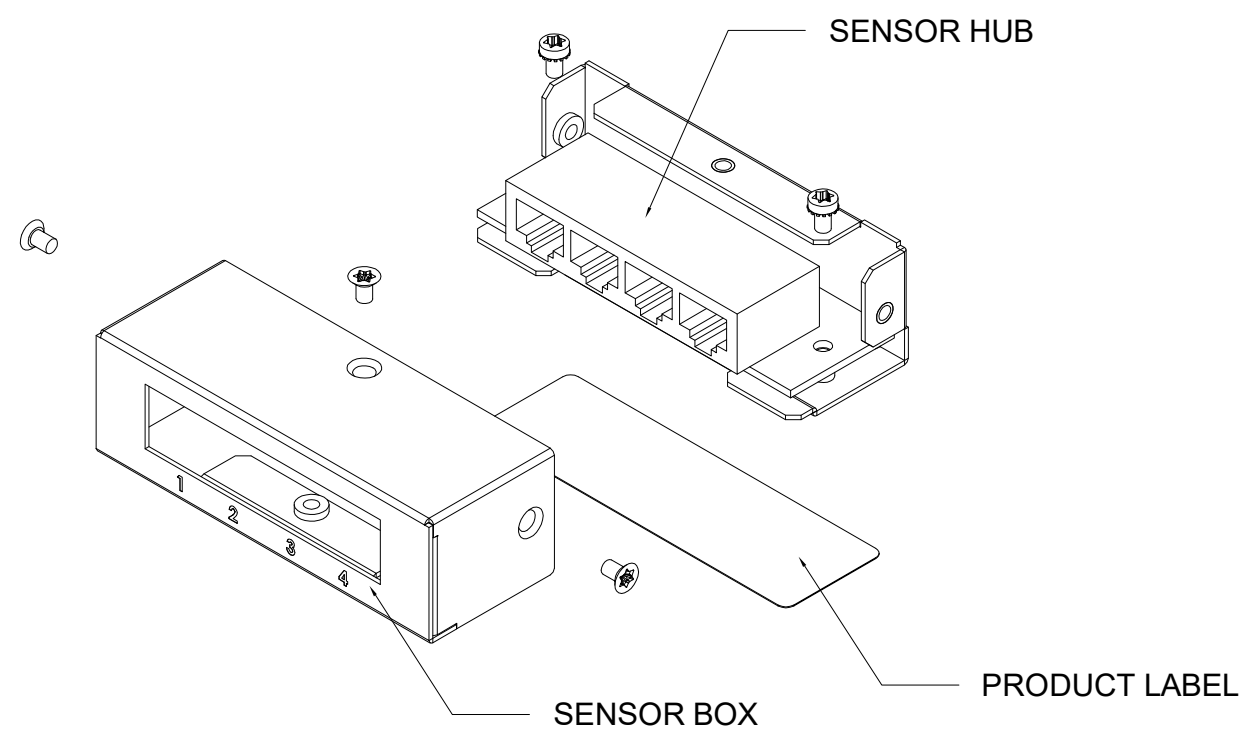


DESIGN (PDU)
ENGINEERING

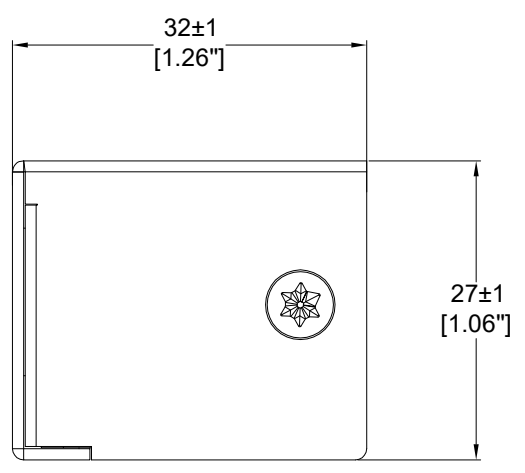
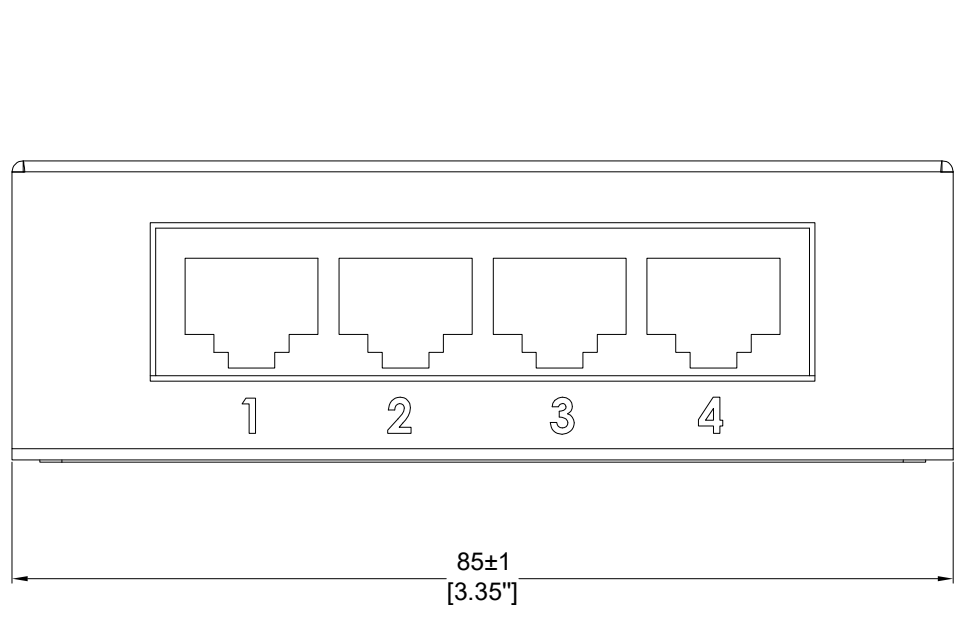


SPECIFICATION:

- 1. STANDARD OPERATING RANGE: 0°C - 65°C, NON-CONDENSING
[32°F - 149°F, NON-CONDENSING]
- OPERATIONAL VOLTAGE: 4.2 - 5.5 VOLTS DC
- CURRENT DRAW: 30 mA MAX
- HUB HOUSING MATERIAL: HOT-DIPPED GALVANIZED, POWER COATED
- HUB HOUSING COLOR: BLACK
- INTERFACE PORT: RJ45 COMPLIANT
- 2. ADDITIONAL: NONE
- 3. ACCESSORY COMPONENTS:
 - CABLE TIES, QTY:(5)
 - DOUBLE-SIDED TAPE, QTY:(1)
 - INSTALLATION GUIDE, QTY:(1)

NOTES:

1. PRIMARY DIMENSIONS ARE IN MILLIMETERS. SECONDARY DIMENSION ARE IN INCHES



ECN/ECO	REV.	DESCRIPTION	DATE	APPROVED
	E1	INITIAL RELEASE	2022/07/07	Nate
REVISIONS				
TITLE :		UNLESS NOTED, DIMENSIONS ARE IN MILLIMETERS & TOLERANCES ARE: X ±1 MM X° ±1° X.X ±0.5 MM X.X° ±0.5° X ±0.20 MM Ø X.X ±0.3 MM Ø X.XX ±0.10 MM BRACKETED DIMENSIONS ARE IN INCHES FOR REFERENCE ONLY THRID ANGLE PROJECTION INTERPRET PER ASME Y14.5M-1994	PART NO: TA-EA9106	
PROJECT : enLOGIC			REV.: E1	
		DRAWN BY: Nate		2022/07/07
		ENGINEER: Nate		2022/07/07
		APPROVED BY: Hanson		2022/07/07
			SCALE : N/A	SIZE: A3
			SHEET 1 OF 2	

THIS DRAWING AND SPECIFICATIONS HEREIN ARE THE PROPERTY OF CIS GLOBAL AND SHALL NOT BE COPIED, REPRODUCED OR USED IN WHOLE OR IN PART, AS THE BASIS FOR THE MANUFACTURE OR SALE OF ITEMS WITHOUT WRITTEN PERMISSION FROM CIS GLOBAL. THIS DRAWING IS BASED UPON LATEST AVAILABLE INFORMATION AND IS SUBJECT TO CHANGE WITHOUT NOTICE

**DESIGN^(PDU)
ENGINEERING**


NOTES:

- 1. PRODUCT LABEL:
 MATERIAL:
 COLOR:
 TEXT COLOR:
 TEXT FONT:
- 2. BARCODE: CODE 128

SYNTHETIC PAPER
 WHITE
 BLACK
 ARIAL

SKU# EA9106  EA9106	Product Code  57468	
Serial Number  Axxxxxxx SENSOR INPUT HUB MADE IN XXXXX	    	

PRODUCT LABEL


<p>THIS DRAWING AND SPECIFICATIONS HEREIN ARE THE PROPERTY OF CIS GLOBAL AND SHALL NOT BE COPIED, REPRODUCED OR USED IN WHOLE OR IN PART, AS THE BASIS FOR THE MANUFACTURE OR SALE OF ITEMS WITHOUT WRITTEN PERMISSION FROM CIS GLOBAL. THIS DRAWING IS BASED UPON LATEST AVAILABLE INFORMATION AND IS SUBJECT TO CHANGE WITHOUT NOTICE</p>

ECN/ECO	REV.	DESCRIPTION	DATE	APPROVED
	E1	INITIAL RELEASE	2022/07/07	Nate
REVISIONS				
TITLE :		UNLESS NOTED, DIMENSIONS ARE IN MILLIMETERS & TOLERANCES ARE: X ±1 MM X° ±1° X.X ±0.5 MM X.X° ±0.5° X ±0.20 MM Ø X.X ±0.3 MM Ø X.XX ±0.10 MM BRACKETED DIMENSIONS ARE IN INCHES FOR REFERENCE ONLY THRID ANGLE PROJECTION INTERPRET PER ASME Y14.5M-1994	PART NO: TA-EA9106	
SENSOR INPUT HUB			REV.: E1	
			DRAWN BY: Nate	
			ENGINEER: Nate	
PROJECT : enLOGIC		APPROVED BY: Hanson		2022/07/07
			SCALE : N/A	SHEET 2 OF 2
				SIZE: A3