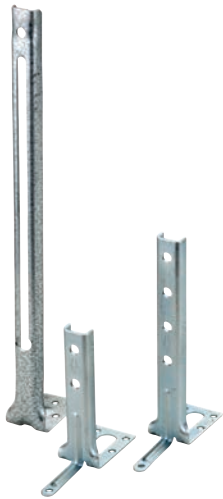


nVent CADDY Footed Box/Conduit Support



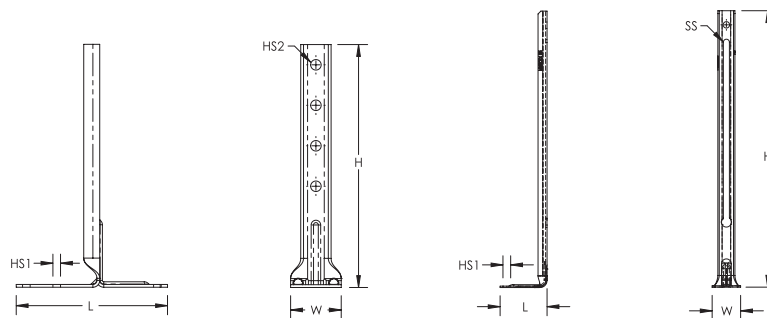
The nVent CADDY Footed Box/Conduit Supports (FBS) are a fast and secure method to address space constraint issues in overcrowded areas when installing in-deck conduit and in-wall electrical boxes. The FBS series is designed to provide positional flexibility in application with the added securement of nVent CADDY conduit fasteners. Increase installation efficiency when adding conduit and boxes to any concrete environment.

FEATURES

- Ideal securement for in-deck conduit routing or stub-up
- Supports electrical boxes from floor or concrete forms (12"–16" heights)
- Stable footprint for concrete pours
- Provides a wide range of height adjustment
- Range of sizes available to accommodate multiple slab depths
- Combine with nVent CADDY strut or threaded rod to support multiple raceways into load center
- Combine with nVent CADDY fasteners for efficient installations

Material: Steel
Finish: Pregalvanized

| Part Number | Height H | Hole Size 1 HS1 | Hole Size 2 HS2 | Slot Size SS | Length L | Width W |
|-------------|----------|-----------------|-----------------|---------------|----------|---------|
| FBS4 | 4" | 3/16" | 1/4" | – | 3-3/4" | 1-1/4" |
| FBS6 | 6" | 3/16" | 1/4" | – | 3-3/4" | 1-1/4" |
| FBS12 | 12" | 3/16" | – | 1/4" x 8-1/4" | 2-1/16" | 1-1/4" |
| FBS16 | 16" | 3/16" | – | 1/4" x 8-1/4" | 2-1/16" | 1-1/4" |
| FBS18 | 18" | 3/16" | – | 1/4" x 8-1/4" | 2-1/16" | 1-1/4" |



Our powerful portfolio of brands:

CADDY ERICO HOFFMAN ILSCO SCHROFF TRACHTE

