

# HD Heavy Duty Pipe Clamp, 124-129 mm OD, M10, M12 Rod

???

## HDI129



??



??

Fillet welded connector nut has flats to accommodate spanners

Easy open flange for pipe sizes less than 4"

Category II noise reduction according to DIN EN ISO 3822-1

Compliant for sound insulation design according to DIN 4109

Reaction-to-fire classification is "E" in compliance with DIN EN 13501-1

????

???: 577050

??: ?;EPDM-SBR ??

??: ???

??: -50 to 110 °C

??: ??

?? (OD): 124 - 129 mm

?? (RS): M10;M12

?? (W): 40 mm

?? (T): 4 mm

???? (Sc): 8 mm

????????? (Sc): M8

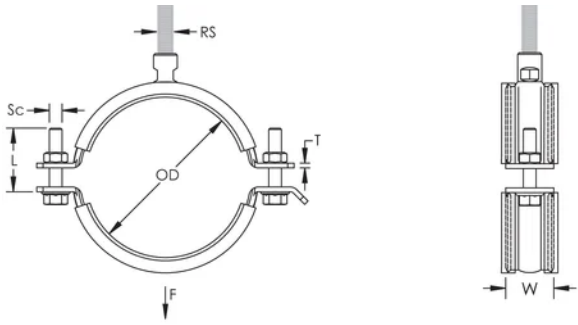
???? (L): 40mm

????: 3500N

??????

Lining is EPDM rubber.

?



??

???? nVent ?????????????????? nVent ??????? www.nvent.com ??????????? nVent ??? nVent  
??/??????????????

??  
+1.800.753.9221  
?? 1 ?????  
?? 2 ?????

??  
???  
+31 800-0200135  
???  
+33 800 901 793

??  
???  
800 1890272  
????/???  
+31 13 5835404

????  
???  
+ 86 21 2412 1618/19  
???  
+61 2 9751 8500



??????????:

CADDY ERICO HOFFMAN ILSCO SCHROFF TRACHTE

