

HD NI Heavy Duty Pipe Clamp, Fire/Sprinkler, HD, 20-24 mm OD, 1/2" Pipe, 15 DN, M8, M10 Rod

???

HDN024HD



??

Fillet welded connector nut has flats to accommodate spanners

????

???: 575002

????: ?

?: ?

?: ????

?? (OD): 20 - 24 mm

????: 1/2"

NB/DN: 15

?? (RS): M8;M10

?? (W): 30 mm

?? (T): 2.5 mm

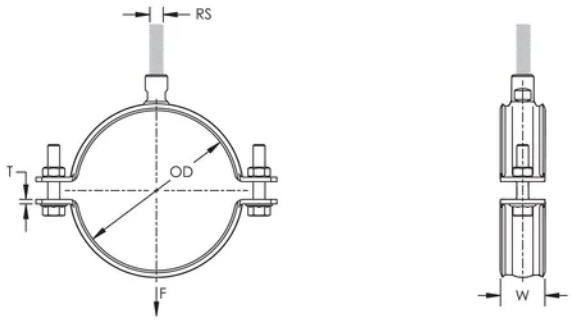
???? (Sc): 6 mm

???????? (Sc): M6

???? (L): 30mm

????: 2000N

?



??

??? nVent ?????????????????? nVent ?????? www.nvent.com ???????????? nVent ?????????????????????????????????????? nVent
 ???/?????????????

??
 +1.800.753.9221
 ?? 1 ??????
 ?? 2 ??????

??
 ???
 +31 800-0200135
 ???
 +33 800 901 793

??
 ???
 800 1890272
 ???/???
 +31 13 5835404

????
 ???
 + 86 21 2412 1618/19
 ???
 +61 2 9751 8500



?????????:
 CADDY ERICO HOFFMAN ILSCO SCHROFF TRACHTE

