

# Heavy Duty Pipe Clamp Fire/Sprinkler HD 40-45mm 1 1/4" Pipe DN32, M8 M10 Rod

???

**HDN045HD**



??



??

Fillet welded connector nut has flats to accommodate spanners

????

???: 575006

????: ?

?: ?

?: ????

?? (OD): 40 - 45 mm

????: 1 1/4" Min

NB/DN: 32

?? (RS): M8;M10

?? (W): 30 mm

?? (T): 2.5 mm

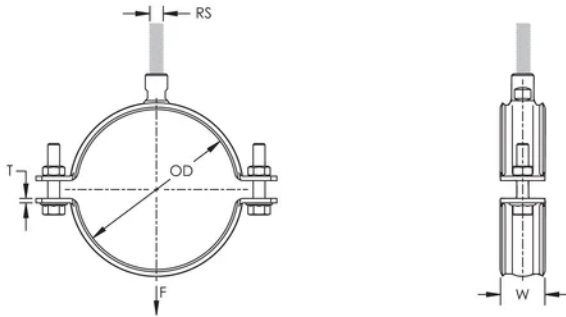
???? (Sc): 6 mm

???????? (Sc): M6

???? (L): 30mm

????: 2000N

?



??

???? nVent ?????????????????? nVent ??????? www.nvent.com ?????????????? nVent ?????????????????????????????????????? nVent  
 ???

??  
 +1.800.753.9221  
 ?? 1 ?????  
 ?? 2 ?????

??  
 ???  
 +31 800-0200135  
 ???  
 +33 800 901 793

??  
 ???  
 800 1890272  
 ?????/???  
 +31 13 5835404

????  
 ???  
 + 86 21 2412 1618/19  
 ???  
 +61 2 9751 8500



?????????:  
 CADDY ERICO HOFFMAN ILSCO SCHROFF TRACHTE

